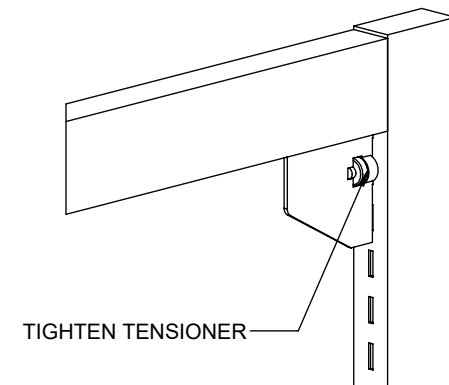
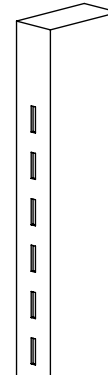
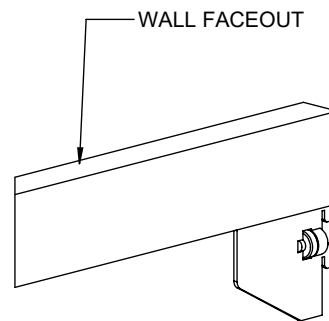
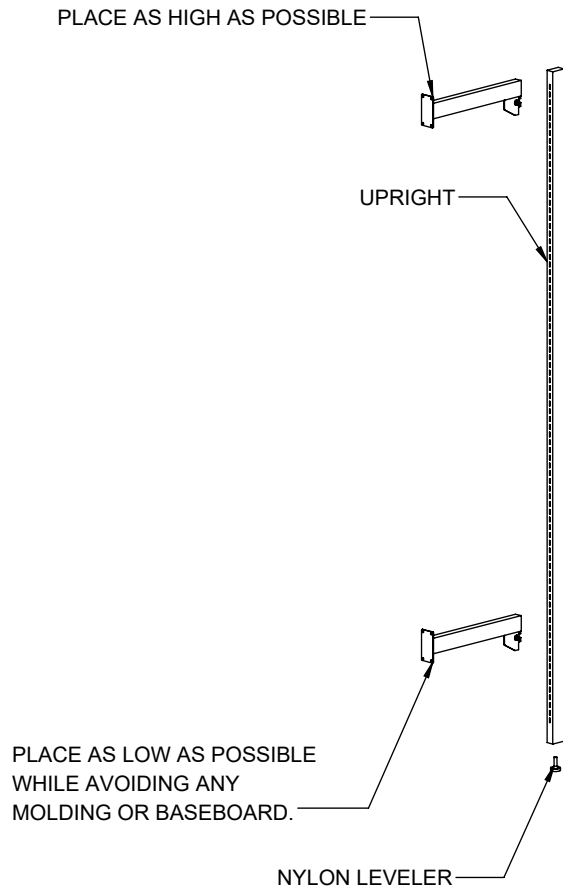


1

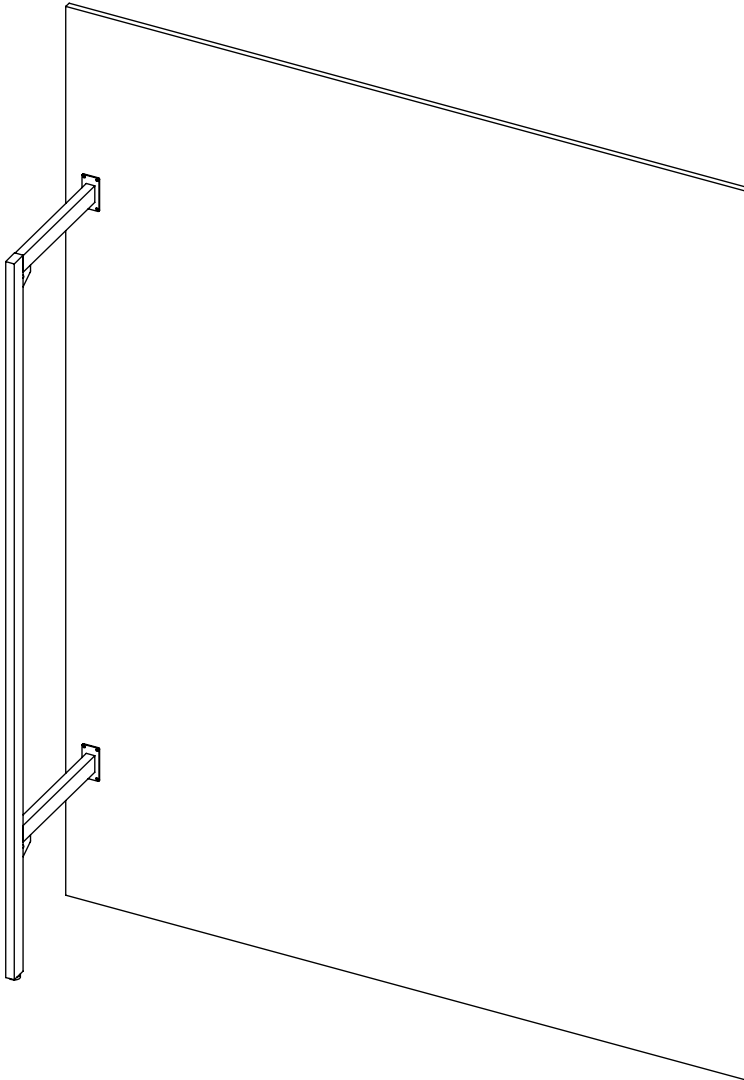
- SCREW IN NYLON LEVELERS
- INSERT THE WALL FACEOUTS INTO THE UPRIGHT.
- CHECK THAT THE WALL FACEOUT IS SECURELY INSIDE THE UPRIGHT.
- TIGHTEN TENSIONER ON THE WALL FACEOUT TO PREVENT LOOSENING.



TOOLS REQUIRED FOR ASSEMBLY

- TAPE MEASURE
- BUBBLE LEVEL OR LASER LEVEL
- MOUNTING HARDWARE
(TO BE PROVIDED BY INSTALLER)
- LADDER

- 2** POSITION UPRIGHT ONTO WALL.
CHECK THAT EVERYTHING IS LEVEL BEFORE SCREWING INTO WALL.
SCREW INTO WALL (HARDWARE TO BE PROVIDED BY INSTALLER).



- 3** PLACE SECOND UPRIGHT ON THE WALL.
DO NOT SCREW TO WALL YET.

USE AN ACCESSORY SUCH AS A SHELF OR HANGRAIL TO SPACE OUT THE SECOND UPRIGHT.

IF ACCESSORIES ARE NOT AVAILABLE, USE A TAPE MEASURE TO ADJUST THE ON CENTER DISTANCE BETWEEN UPRIGHTS. MAKE SURE THE ON CENTER DISTANCE IS THE SAME ON TOP AND BOTTOM.

SCREW THE SECOND UPRIGHT IN PLACE.

