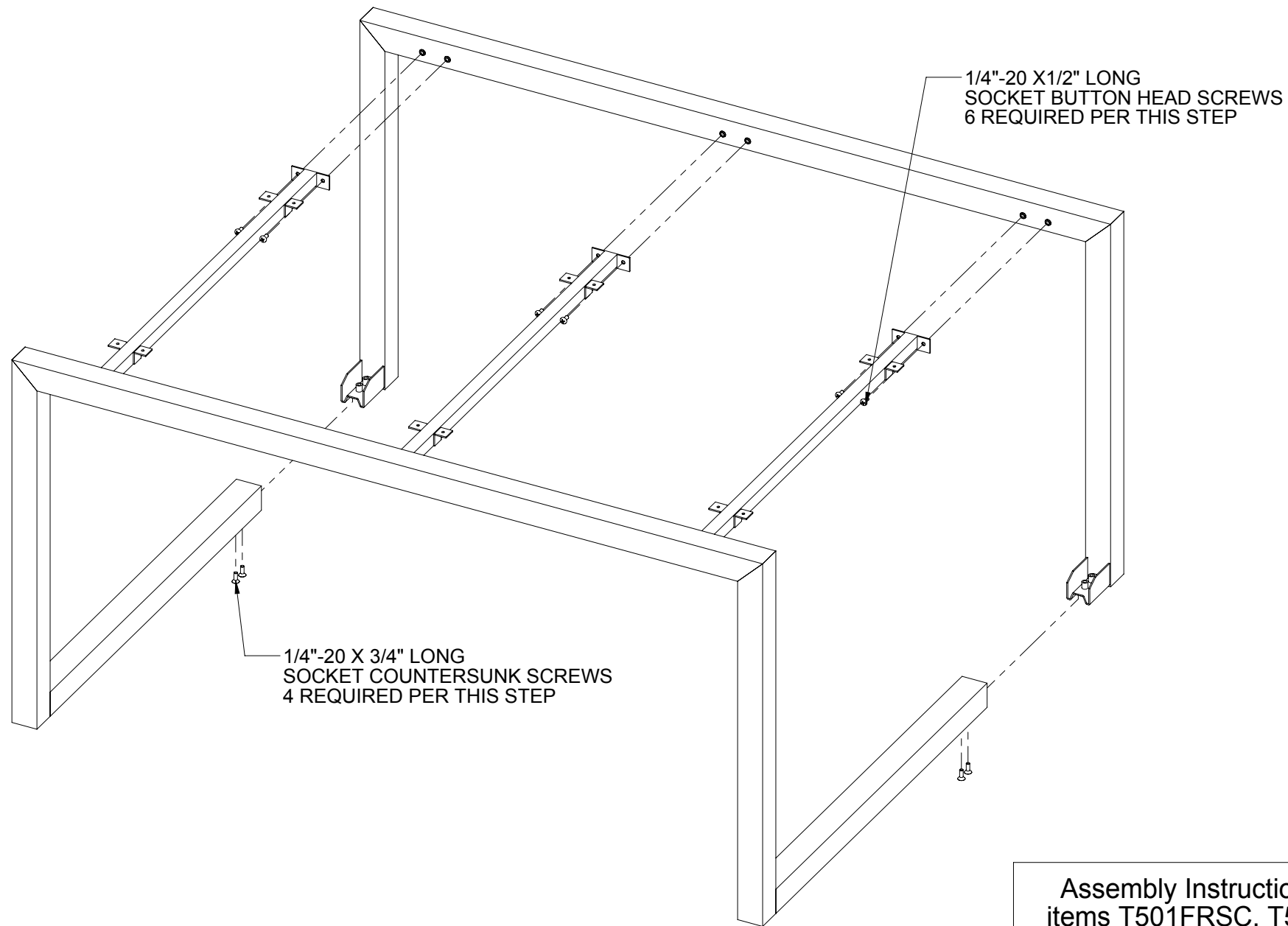


1/4"-20 X 3/4" LONG
 SOCKET COUNTERSUNK SCREWS
 4 REQUIRED PER THIS STEP

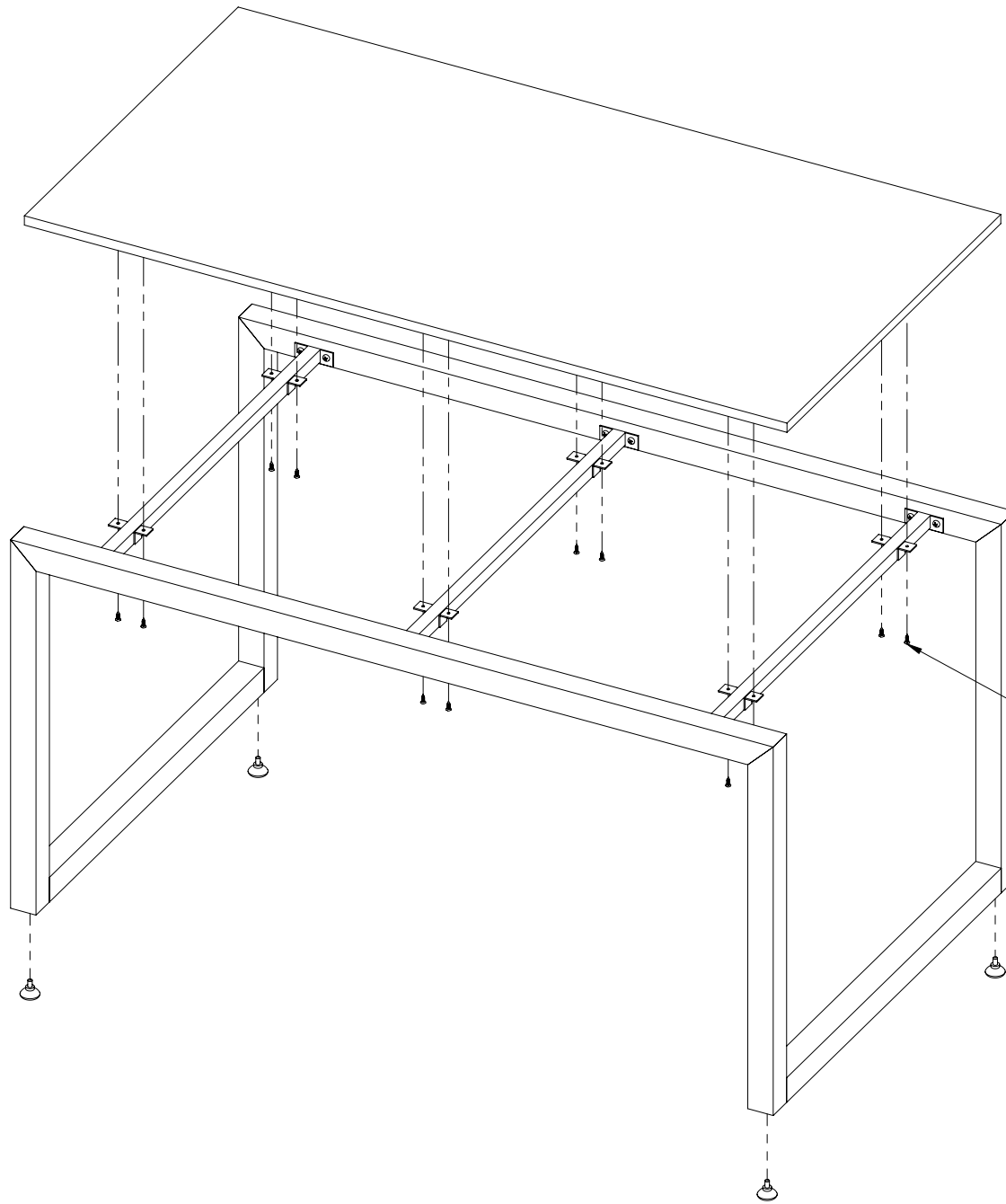
1/4"-20 X 1/2" LONG
 SOCKET BUTTON HEAD SCREWS
 6 REQUIRED PER THIS STEP

Assembly Instructions for
 items T501FRSC, T501SC-
 H, T505FRSC, T505SC-H

SHEET 1 OF 3



Assembly Instructions for
items T501FRSC, T501SC-
H, T505FRSC, T505SC-H



#10 X 5/8" LONG
PAN CROSS HEAD WOOD SCREWS
12 REQUIRED PER THIS STEP

Assembly Instructions for
items T501FRSC, T501SC-
H, T505FRSC, T505SC-H

SHEET 3 OF 3

5

↑

4

3

2

1