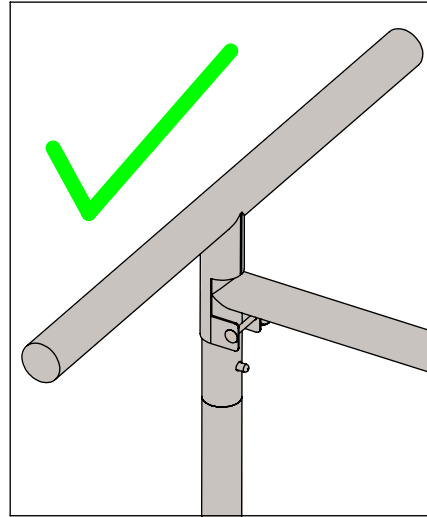
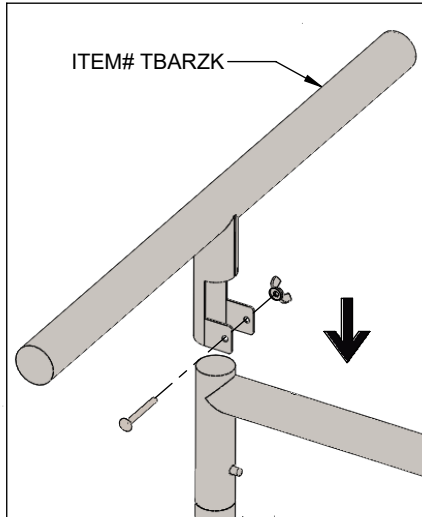
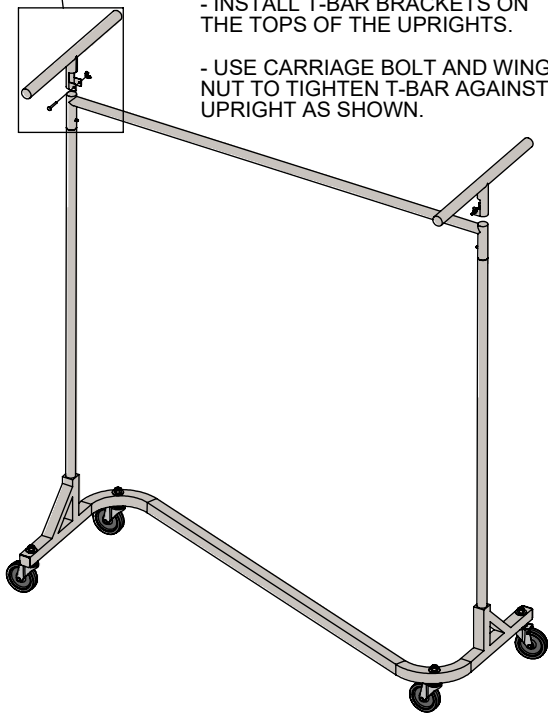


PT2464 ASSEMBLY ON RZK/8 AND RZK/7 Z-RACKS



- INSTALL T-BAR BRACKETS ON THE TOPS OF THE UPRIGHTS.
- USE CARRIAGE BOLT AND WING NUT TO TIGHTEN T-BAR AGAINST UPRIGHT AS SHOWN.



ITEM# RC64

- UNZIP THE RC64 PLASTIC COVER AND PULL DOWN AROUND THE ASSEMBLED Z-RACK AND T-BARS.

