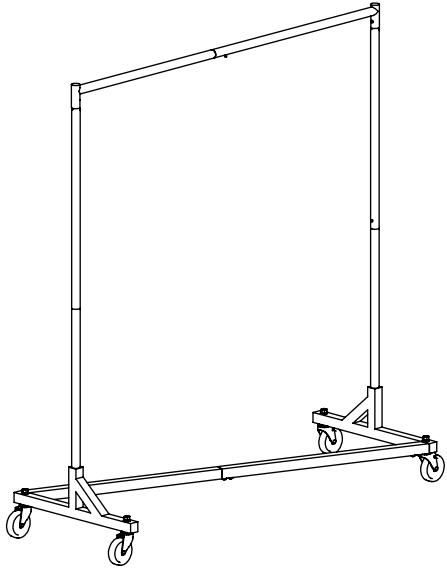
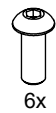


**ASSEMBLY
INSTRUCTIONS FOR:
RZK8, RZK8RNG,
RZK8DH, RZK8RNGDH**



HARDWARE INCLUDED



6x

3/8"-18 x 1"
HEX HEAD CAP
SCREW



6x

3/8" LOCK
WASHER



6x

3/8" FLAT
WASHER



4x

1/2" HEX
NUT



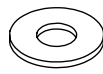
4x

1/2" LOCK
WASHER



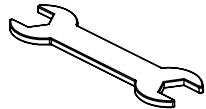
4x

1/2" NARROW
WASHER



4x

1/2" WIDE
WASHER

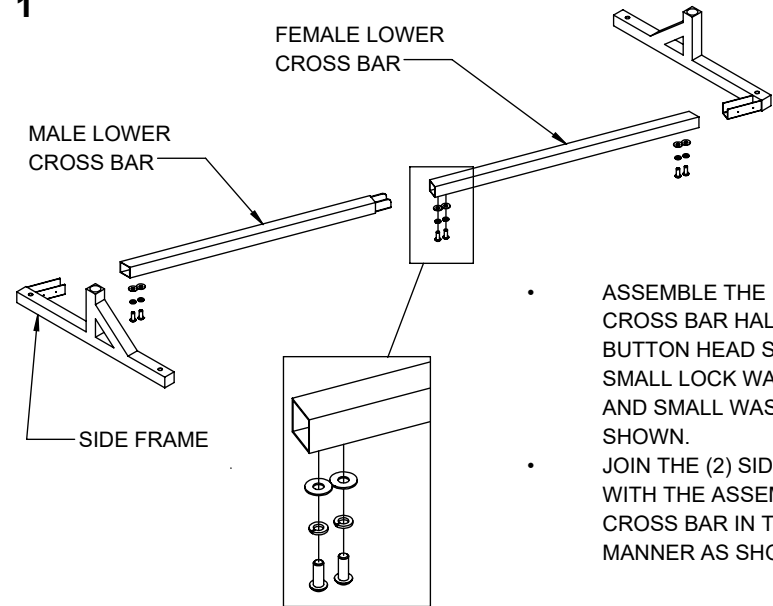


WRENCH



ALLEN KEY

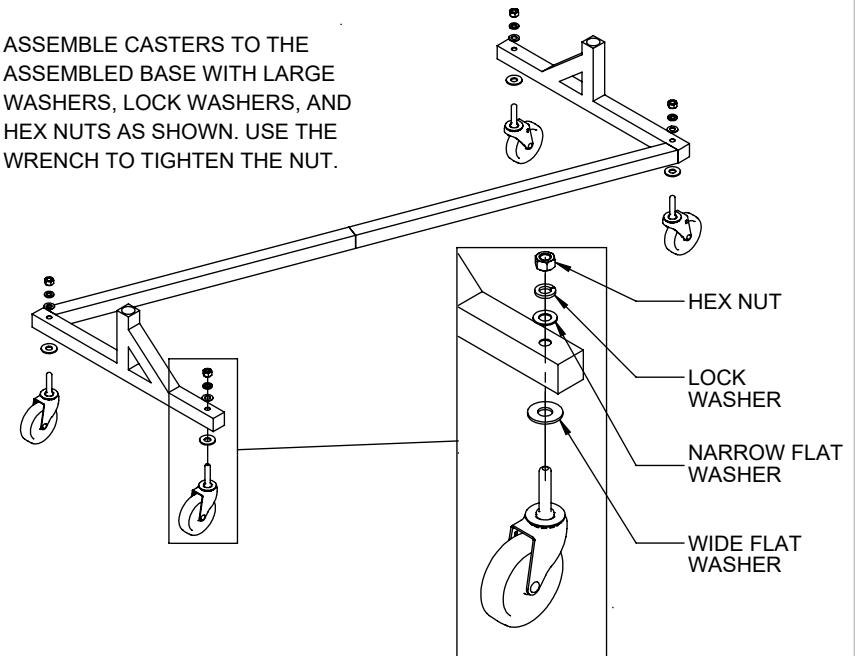
1



- ASSEMBLE THE LOWER CROSS BAR HALVES WITH BUTTON HEAD SCREWS, SMALL LOCK WASHERS AND SMALL WASHERS AS SHOWN.
- JOIN THE (2) SIDE FRAMES WITH THE ASSEMBLED CROSS BAR IN THE SAME MANNER AS SHOWN.

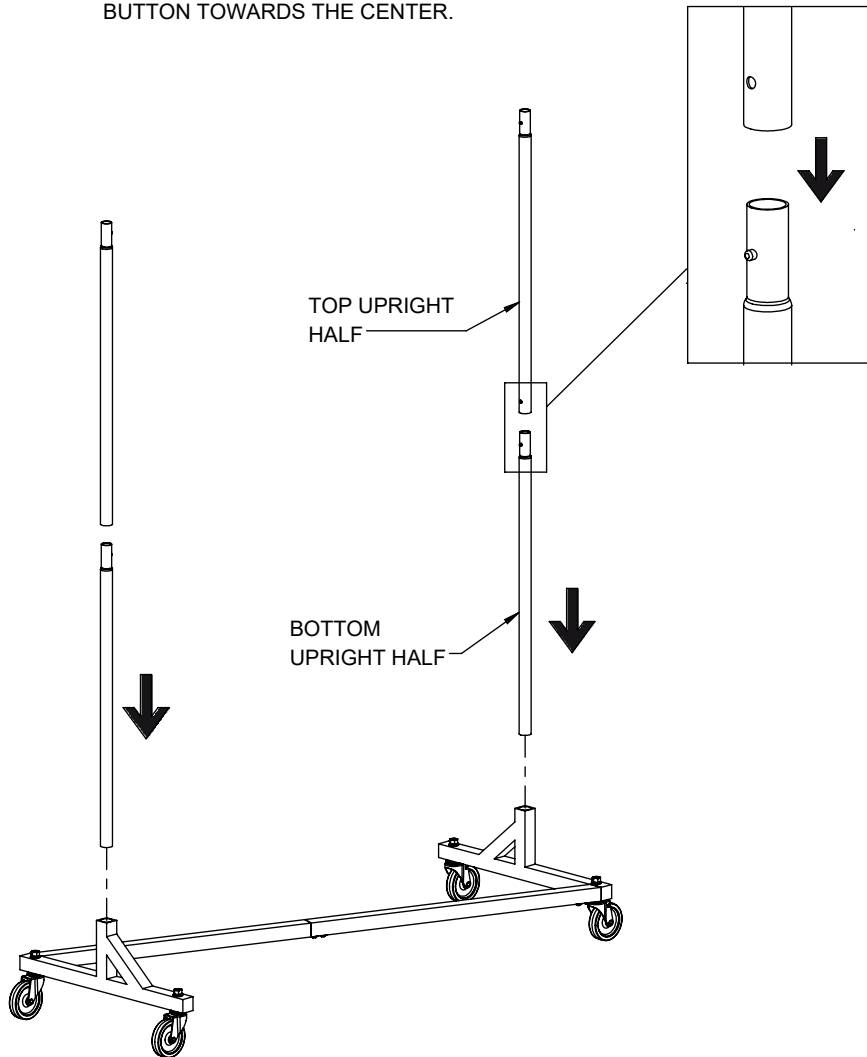
2

ASSEMBLE CASTERS TO THE ASSEMBLED BASE WITH LARGE WASHERS, LOCK WASHERS, AND HEX NUTS AS SHOWN. USE THE WRENCH TO TIGHTEN THE NUT.



3

- DEPRESS THE PUSH BUTTON ON THE BOTTOM UPRIGHT HALF AND JOIN WITH THE TOP UPRIGHT HALF. REPEAT FOR THE OTHER UPRIGHT.
- INSERT UPRIGHTS INTO THE SIDE FRAMES AND ALIGN THE PUSH BUTTON TOWARDS THE CENTER.



4

- DEPRESS THE PUSH BUTTON ON THE MALE HANG BAR HALF AND JOIN WITH THE FEMALE HANG BAR HALF AS SHOWN.
- DEPRESS THE PUSH BUTTONS ON THE UPRIGHTS AND INSTALL THE ASSEMBLED HANG BAR ON THE UPRIGHTS AS SHOWN.

