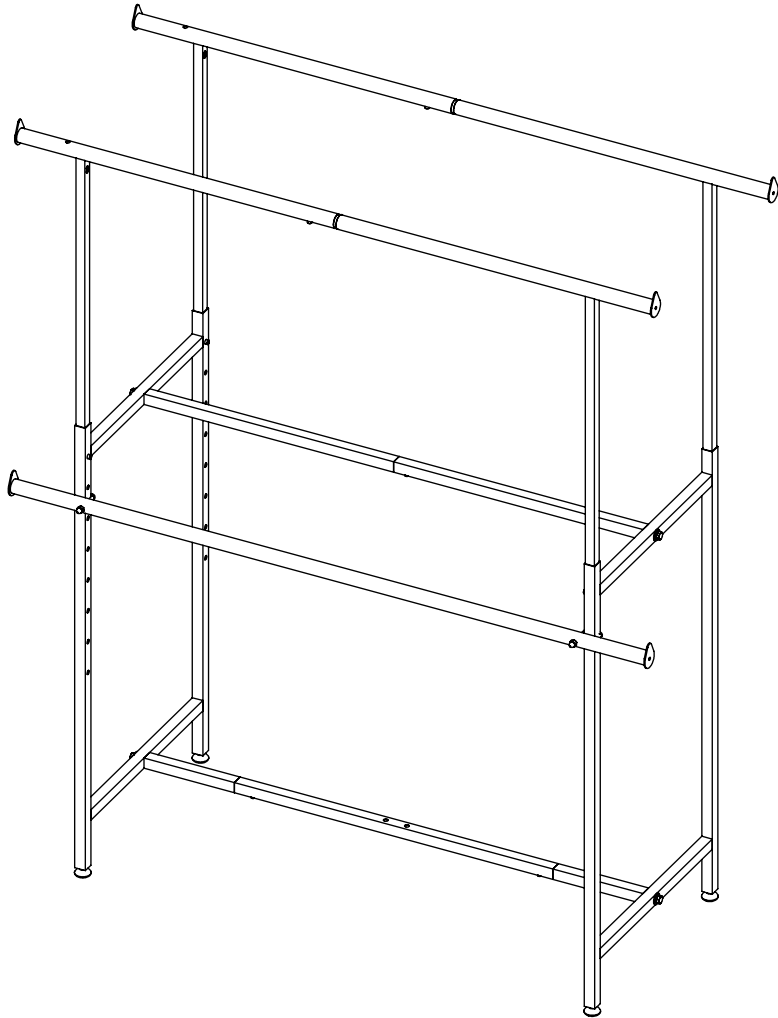
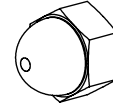


CLAMP ON HANGRAIL FOR K40 AND K41 INSTRUCTIONS

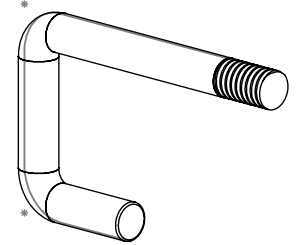
KH2



INCLUDED HARDWARE

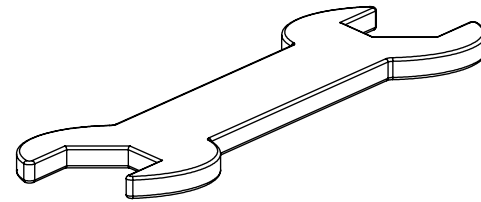


2X
ACORN NUT



2X
J-HOOK

TOOLS REQUIRED



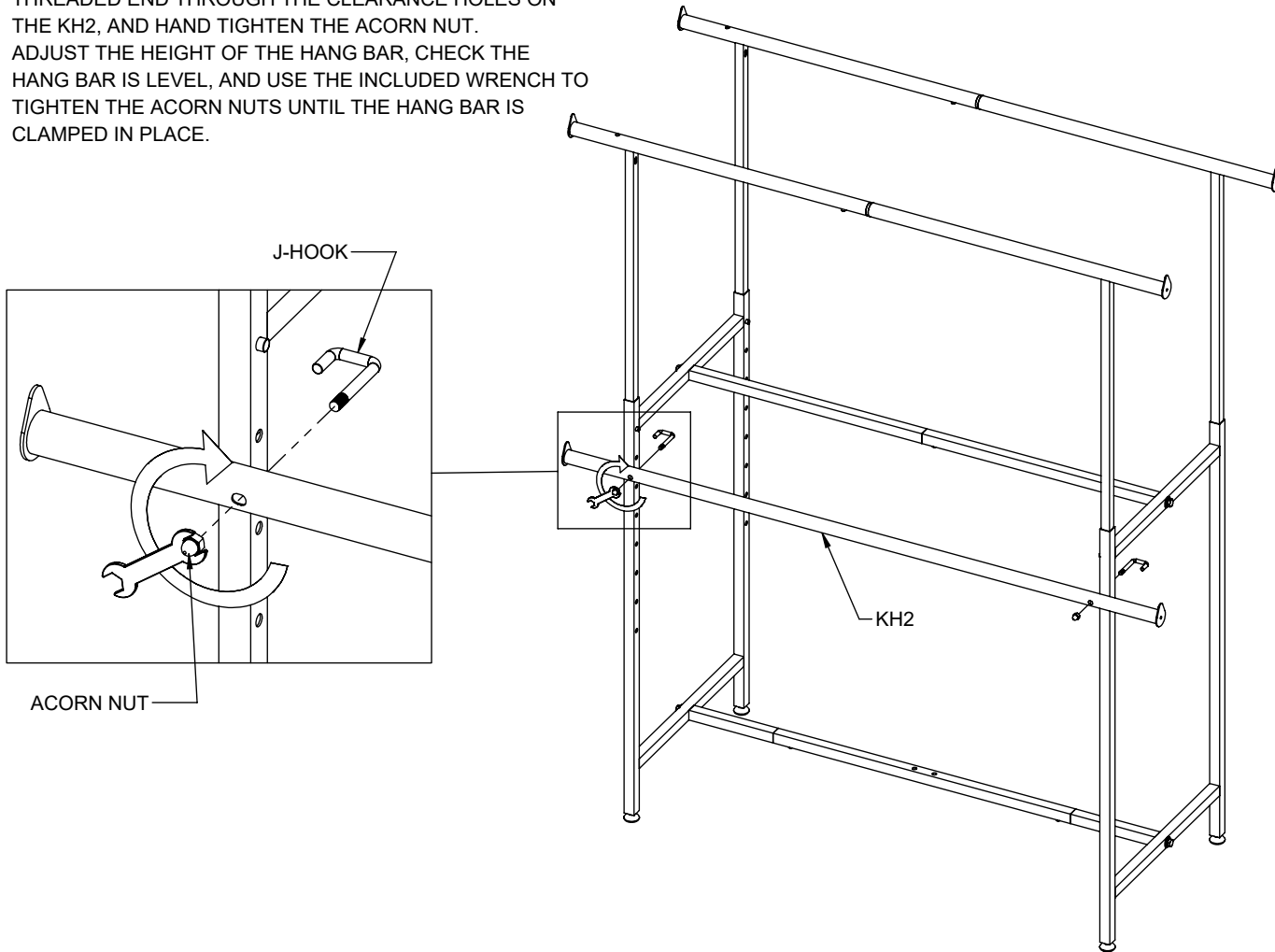
1X
WRENCH

1

NOTE: THE KH2 HANGBAR CAN BE CLAMPED ANYWHERE ALONG THE HEIGHT OF THE K40/K41 UPRIGHT.

ON BOTH SIDES OF THE HANG BAR, HOOK THE J-HOOK AROUND THE UPRIGHT OF THE K40/K41, INSERT THE THREADED END THROUGH THE CLEARANCE HOLES ON THE KH2, AND HAND TIGHTEN THE ACORN NUT.

ADJUST THE HEIGHT OF THE HANG BAR, CHECK THE HANG BAR IS LEVEL, AND USE THE INCLUDED WRENCH TO TIGHTEN THE ACORN NUTS UNTIL THE HANG BAR IS CLAMPED IN PLACE.



WARNING:

BE SURE THE THREADED SIDE OF THE J-HOOK IS ON THE INSIDE OF THE K40/K41 RACK.

