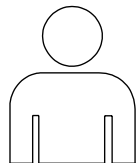
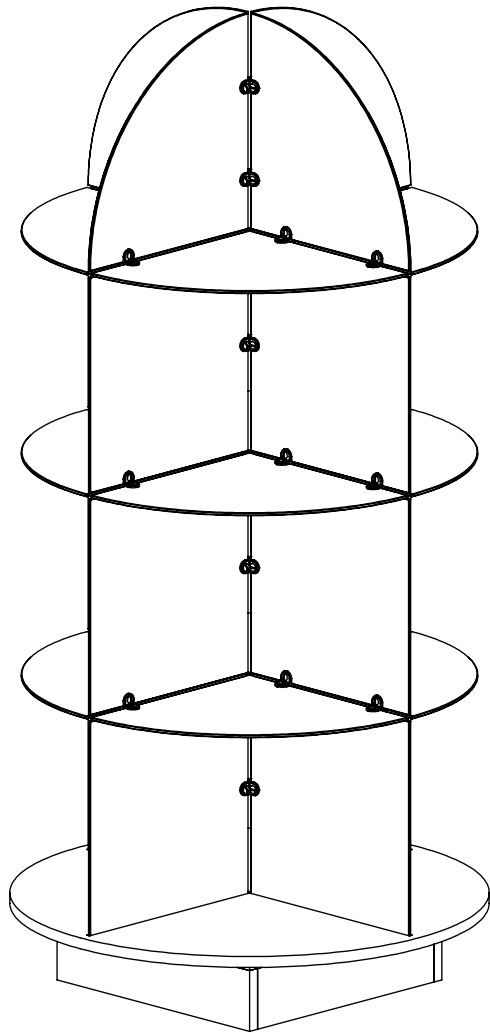


# GLASS MERCHANDISER WITH ROUND BASE

Item # WDGLRD(F)



**2 PEOPLE  
REQUIRED  
FOR  
ASSEMBLY**

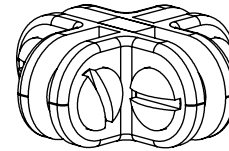
## INCLUDED HARDWARE



**16X  
CAM LOCK NUT**

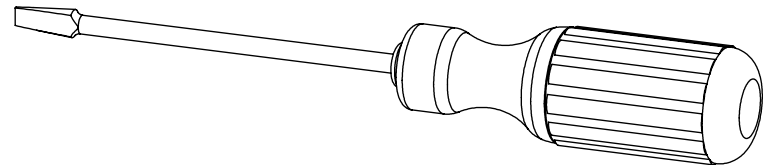


**16X  
CAM LOCK STEM**

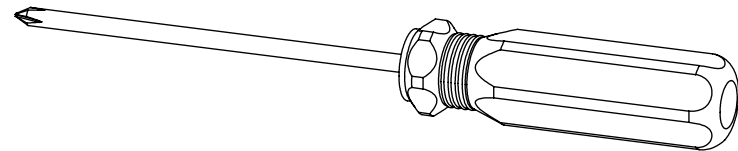


**23X  
4-WAY CONNECTOR**

## TOOLS REQUIRED



**FLAT HEAD SCREWDRIVER**



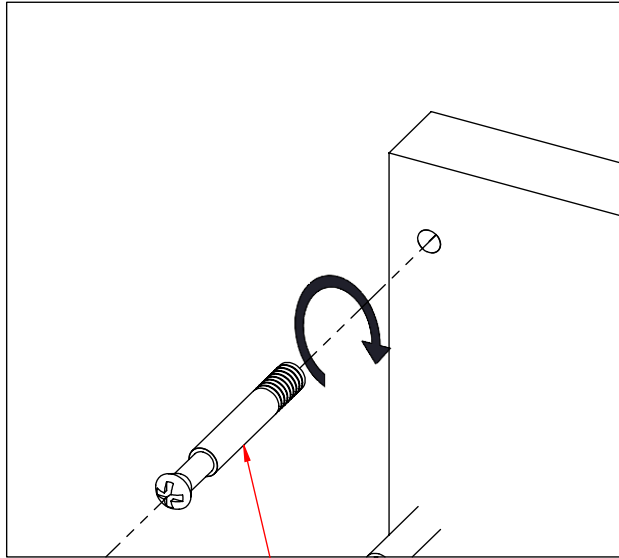
**PHILLIPS HEAD SCREWDRIVER**

# 1A

- THREAD (8) OF THE CAM LOCK STEMS INTO THE THREADED INSERTS ON THE LONG LENGTHS OF THE BASE AS SHOWN WITH A PHILLIPS HEAD SCREWDRIVER.

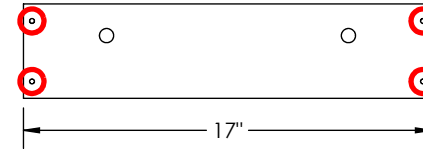
**NOTE: DO NOT OVERTIGHTEN.**

- JOIN THE BASE PIECES TOGETHER AS SHOWN.

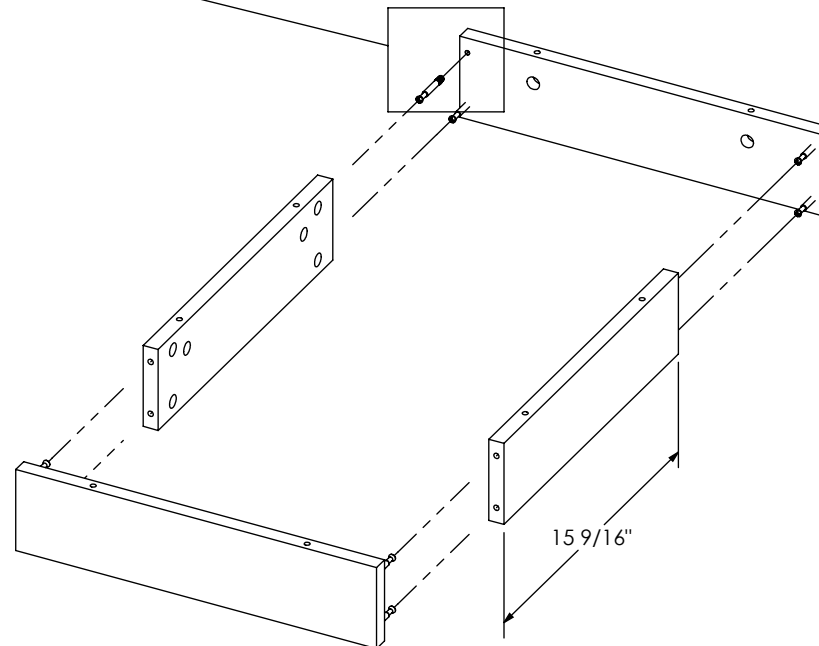
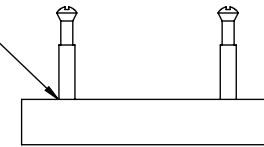


CAM LOCK  
STEM

## THREADED STEMS



ONLY THREAD  
STEMS UNTIL THE  
THREADS ARE NO  
LONGER VISIBLE.



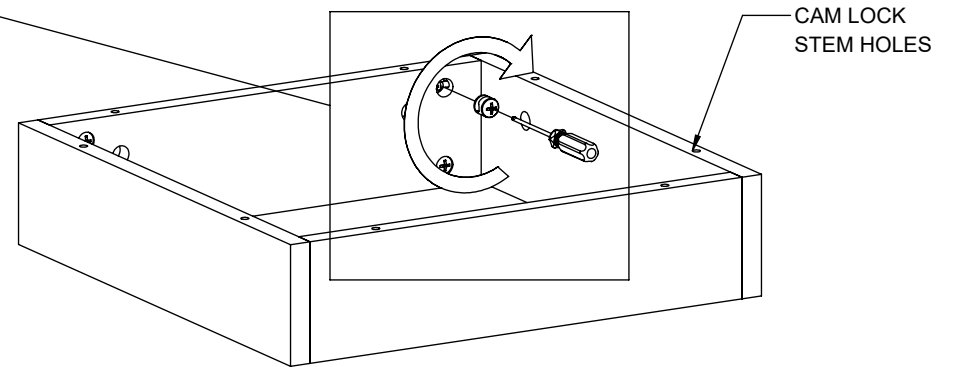
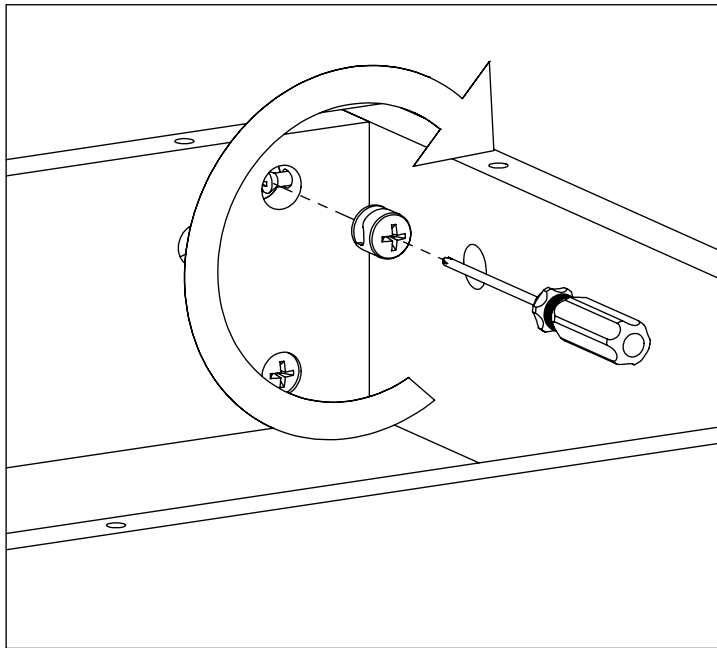
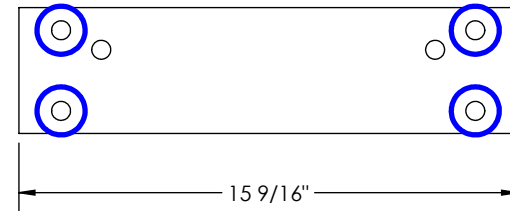
## 1B

- PUSH (8) OF THE CAM LOCK NUTS INTO THE LARGE CLEARANCE HOLES IN THE SHORT LENGTHS OF THE BASE AS SHOWN. THE NUT SHOULD SEAT AROUND THE STEM.

- TURN THE LOCK NUT WITH A PHILLIPS HEAD SCREW DRIVER UNTIL THE CAM LOCK NUT PULLS THE WOOD COMPONENTS TOGETHER TIGHTLY.

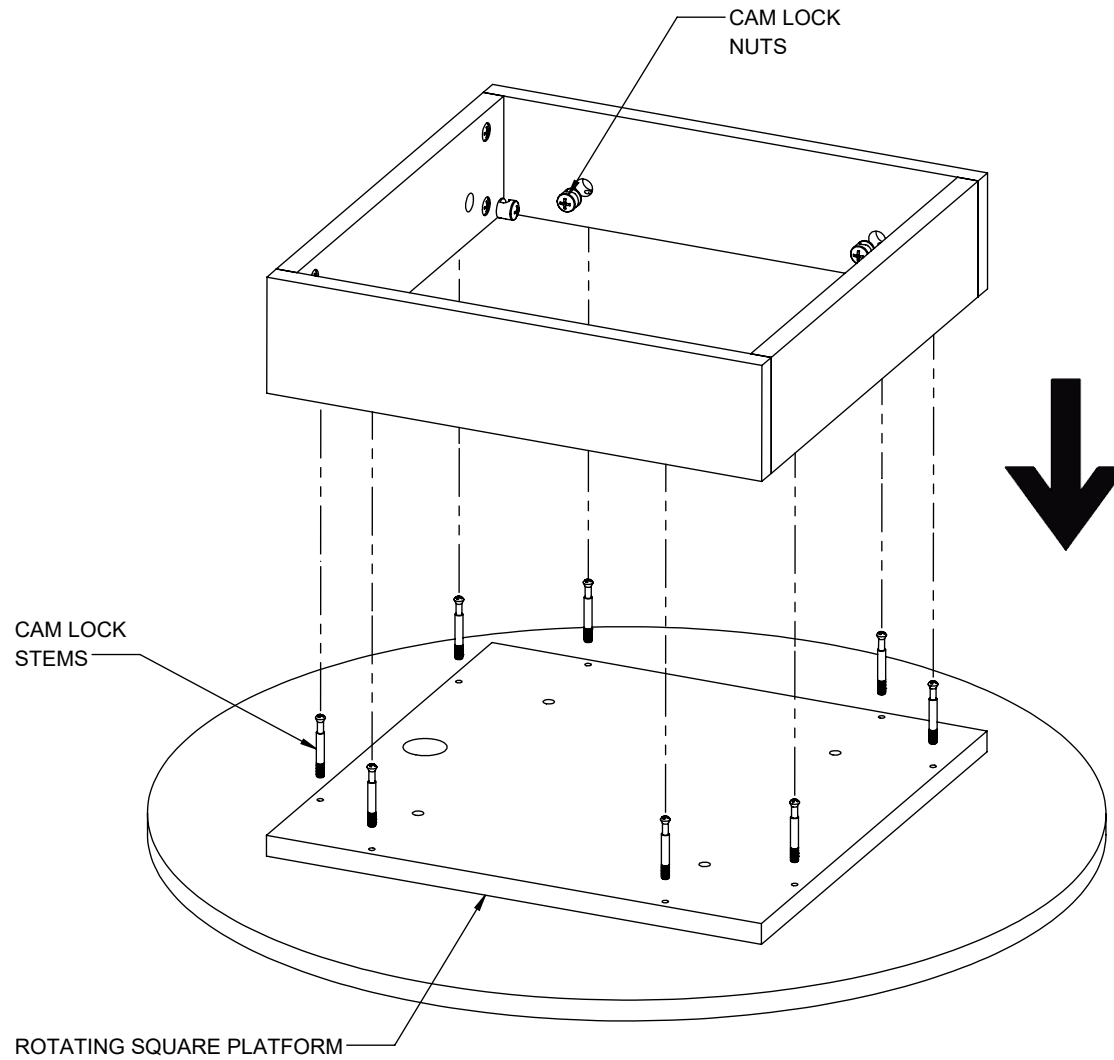
**NOTE: REMAINING CAM LOCK STEM HOLES SHOULD ALL BE FACING UP.**

### HOLES FOR CAM LOCK NUTS



## 2

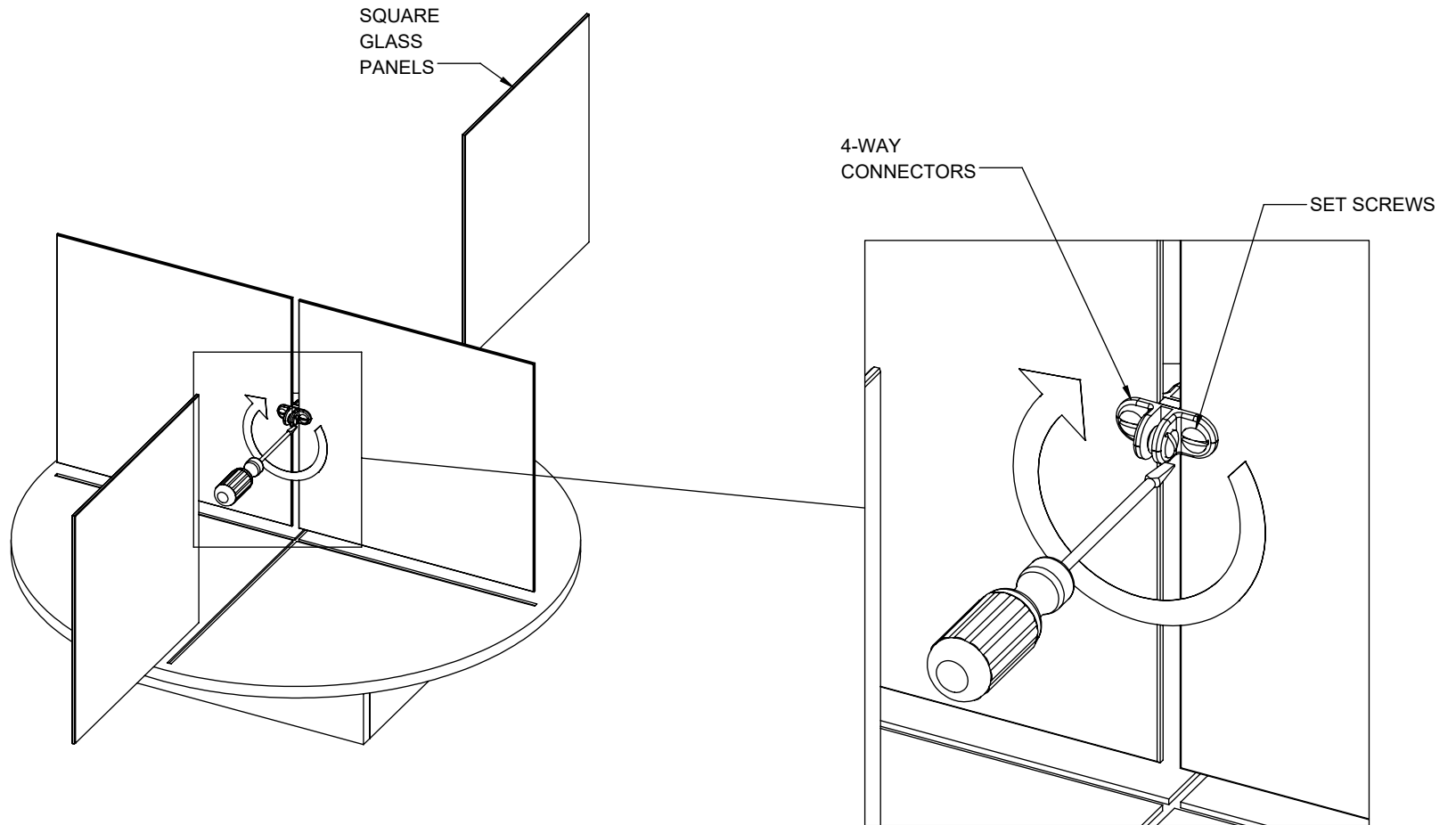
- SIMILARLY TO STEP 1A AND STEP 1B, THREAD THE REMAINING CAM LOCK STEMS INTO THE ROTATING SQUARE PLATFORM AND SECURE TO THE ASSEMBLED TOE KICK WITH THE REMAINING CAM LOCK NUTS.



### 3

- ARRANGE (4) SQUARE GLASS PANELS WITH (1) 4-WAY CONNECTORS AS SHOWN.
- GLASS PANELS SHOULD BE INSERTED INTO THE CONNECTORS AND SECURED WITH WITH THE CONNECTOR SET SCREWS.

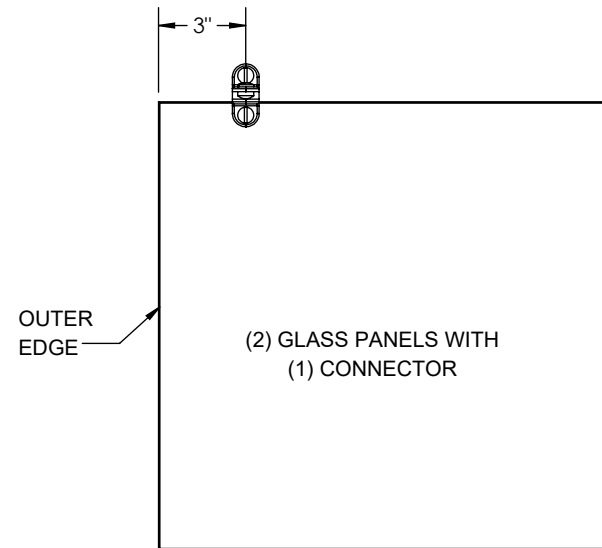
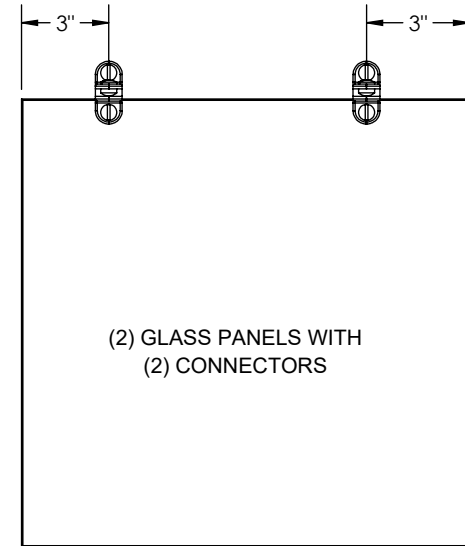
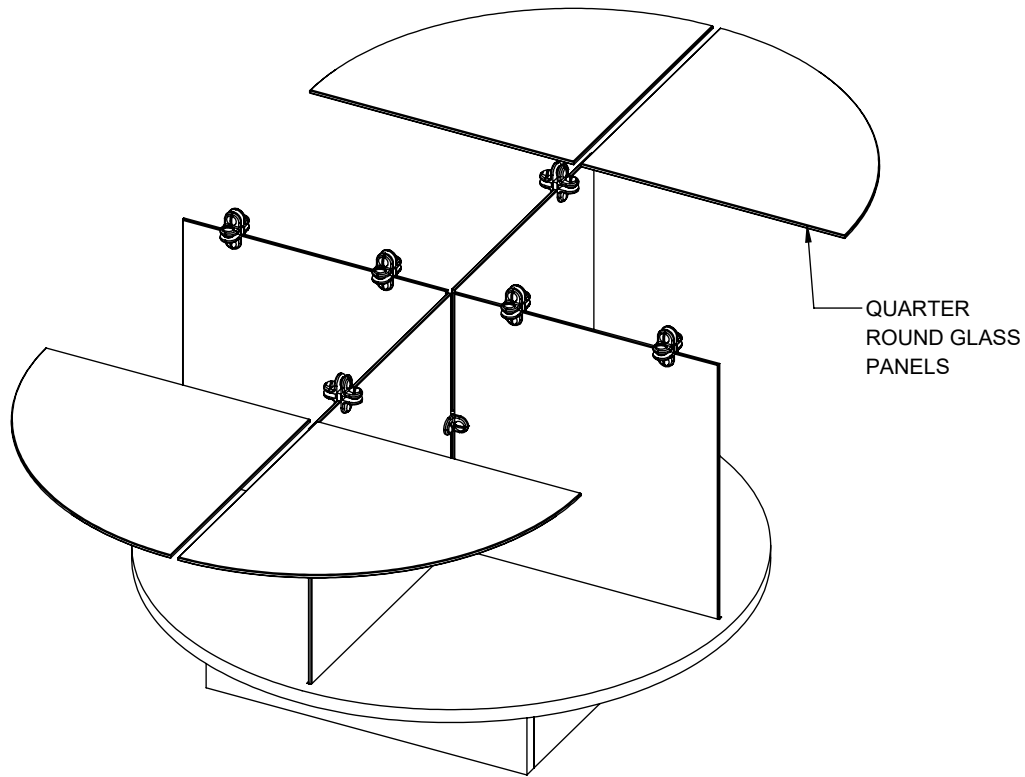
**NOTE: TIGHTEN ALL CONNECTORS TO ONE GLASS PANEL AT A TIME.**



# 4

- SECURE (6) 4-WAY CONNECTORS ONTO THE ASSEMBLED GLASS PANELS AS SHOWN.
- SLIDE (4) QUARTER ROUND GLASS PANELS AND (2) RECTANGULAR PANELS INTO THE CONNECTORS AS SHOWN TO CREATE SHELVES.

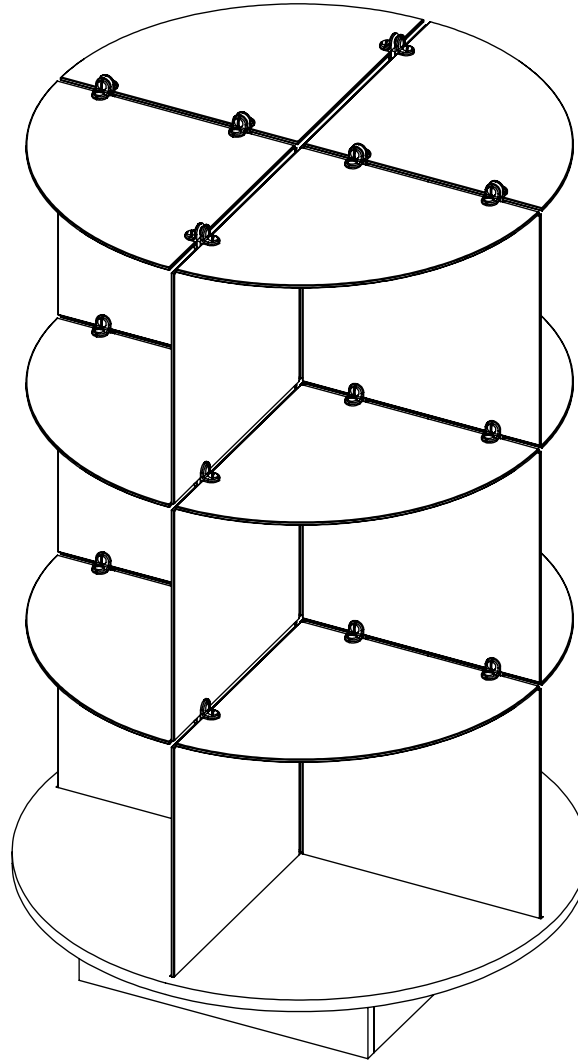
**NOTE: TIGHTEN ALL CONNECTORS TO ONE GLASS PANEL AT A TIME.**



# 5

- REPEAT STEPS 3 AND 4 UNTIL THERE ARE (3) LEVELS OF SHELVES ASSEMBLED.

**NOTE:** TIGHTEN ALL CONNECTORS TO ONE GLASS PANEL AT A TIME.



# 6

- USE THE REMAINING (2) 4-WAY CONNECTORS AND QUARTER ROUND GLASS PANELS TO COMPLETE THE GLASS TOWER AS SHOWN.

**NOTE:** TIGHTEN ALL CONNECTORS TO ONE GLASS PANEL AT A TIME.

