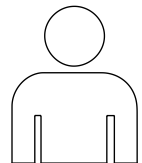
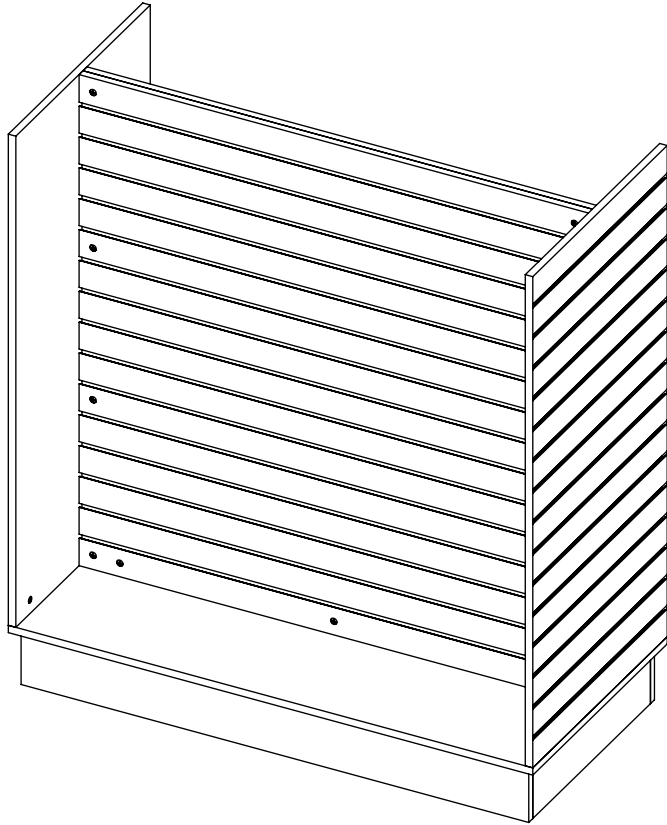


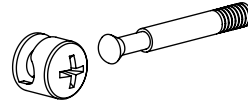
GONDOLA SLATWALL MERCHANDISER

Items # WDSWH48(-BK, -MP, -WH),
WDCAS2H48



**2-3 PEOPLE
REQUIRED
FOR
ASSEMBLY**

INCLUDED HARDWARE



46X
CAM LOCK AND STEM



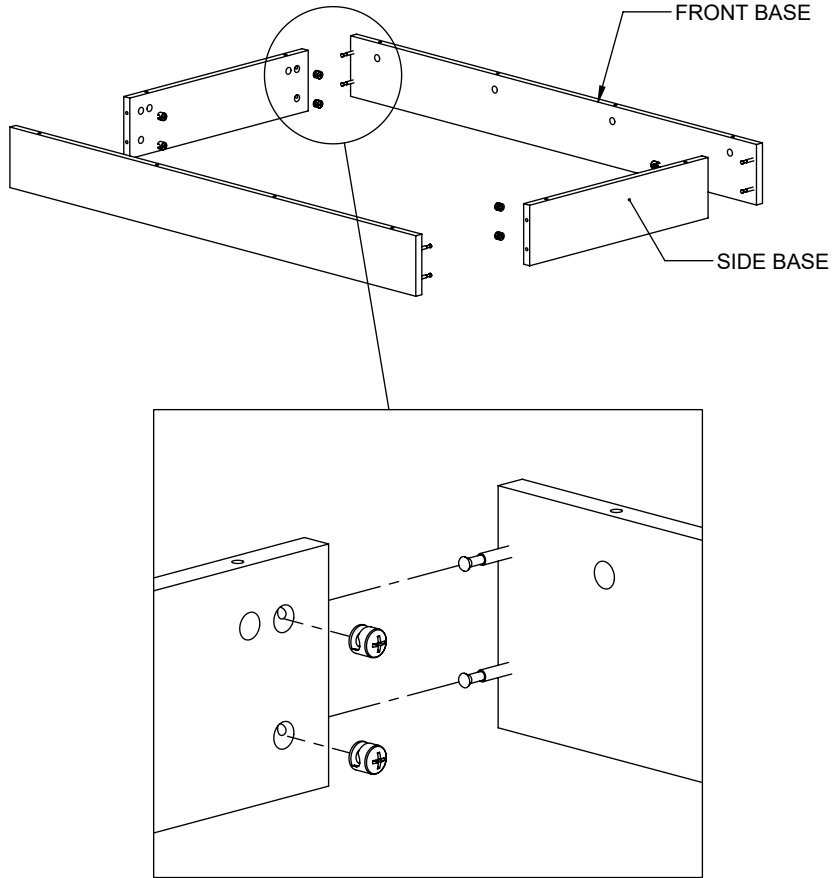
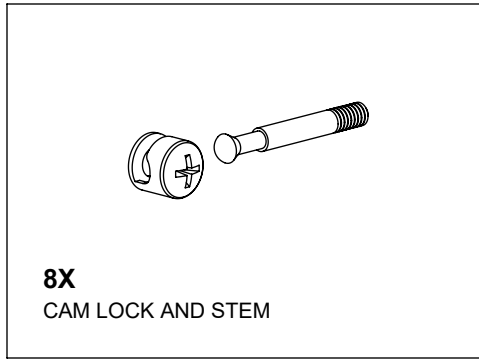
26X
STICKER

TOOLS REQUIRED

SCREWDRIVER

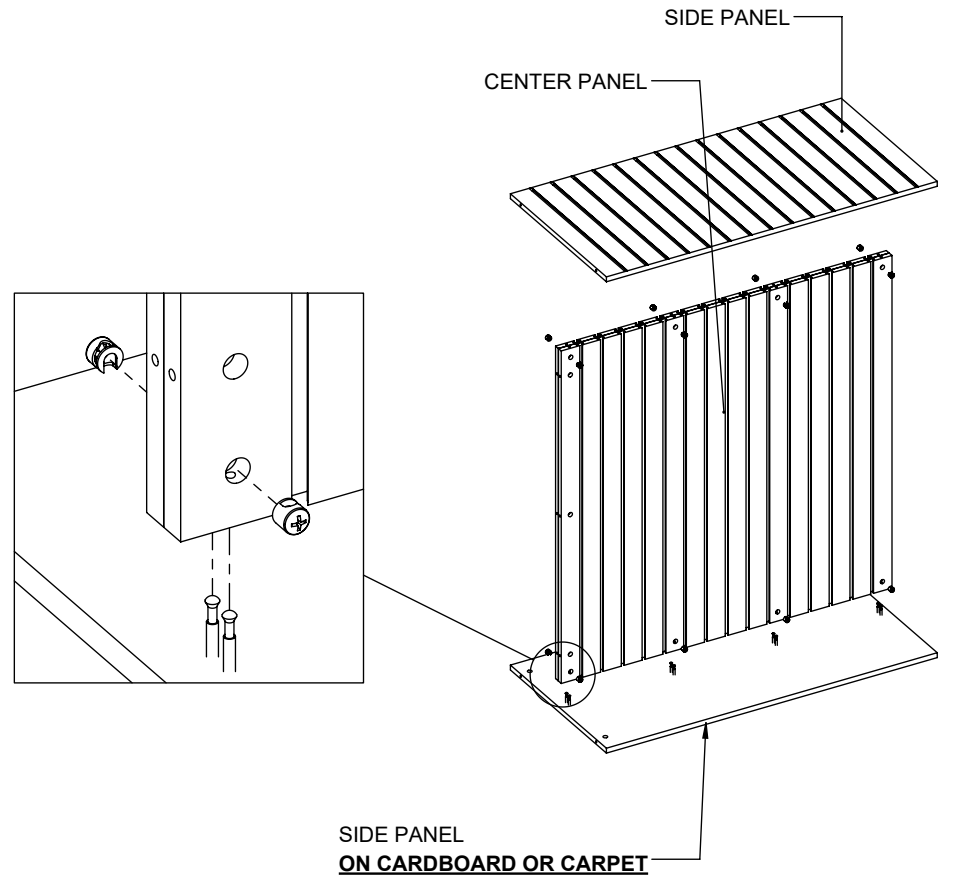
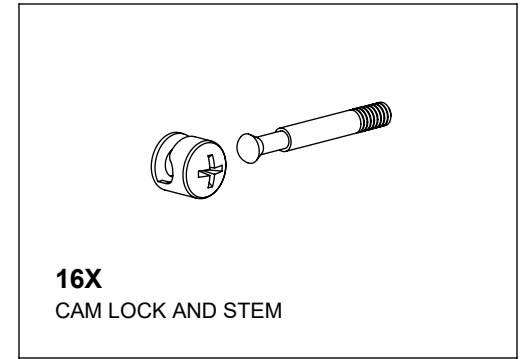
1

-INSERT STEM ON FRONT BASES.
-ASSEMBLE WITH SIDE BASES.



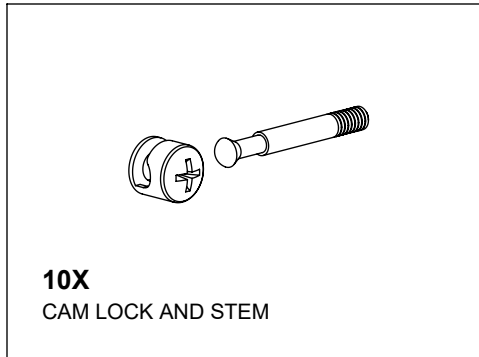
2

-INSERT STEMS ON SIDE PANELS.
-ASSEMBLE AS SHOWN.



3

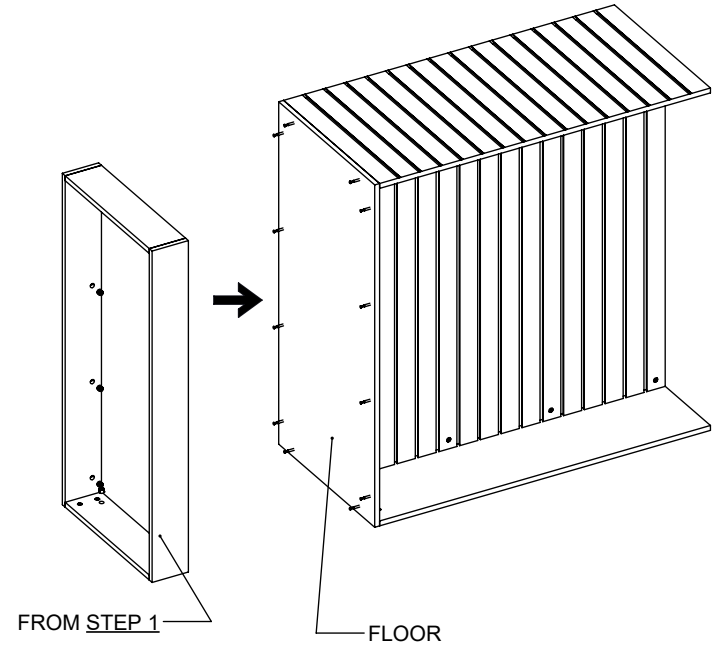
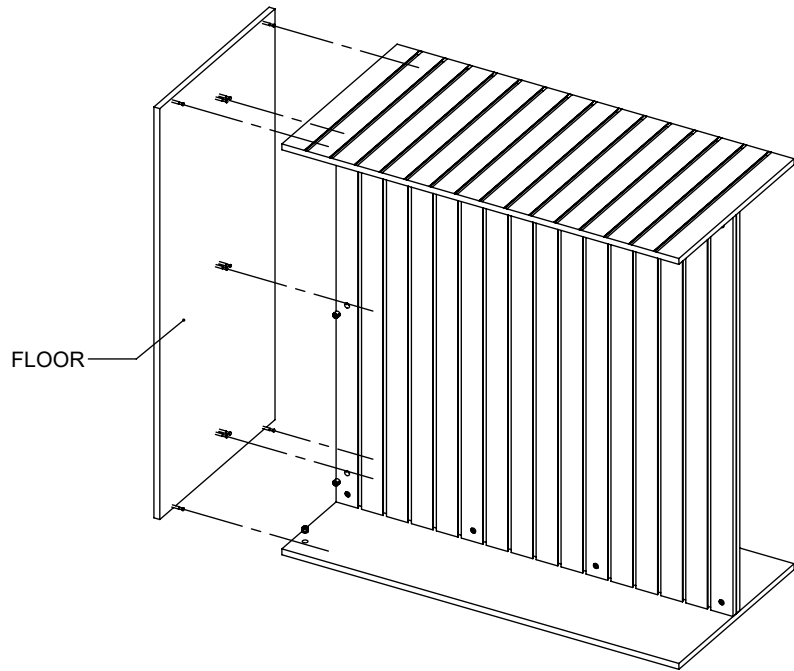
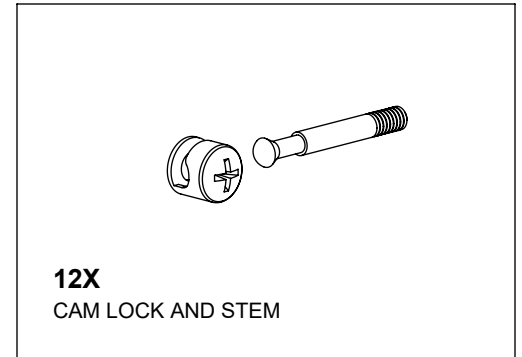
-INSERT STEMS ON FLOOR.
-ASSEMBLE AS SHOWN.



4

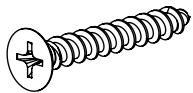
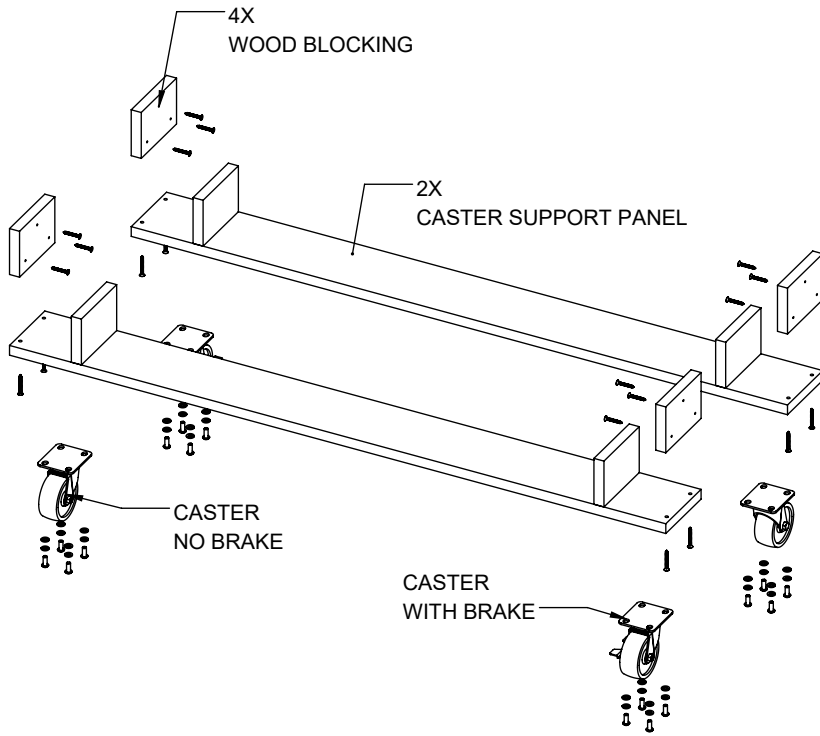
-INSERT STEMS ON BOTTOM OF
FLOOR PANEL.
-ASSEMBLE AS SHOWN.

IF CASTER KIT WAS NOT
PURCHASED, SKIP TO SHEET 6.

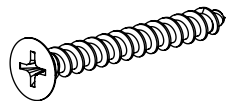


CASTER KIT INSTRUCTIONS

ITEM #WDCAS2H48



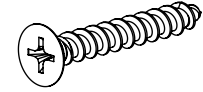
12X
#8 X 1.18" LONG
FLAT HEAD WOOD SCREW



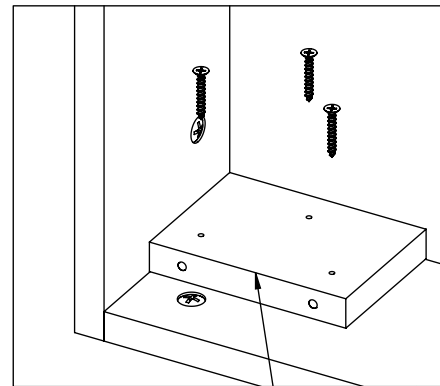
8X
#8 X 1.42" LONG
FLAT HEAD WOOD SCREW

1

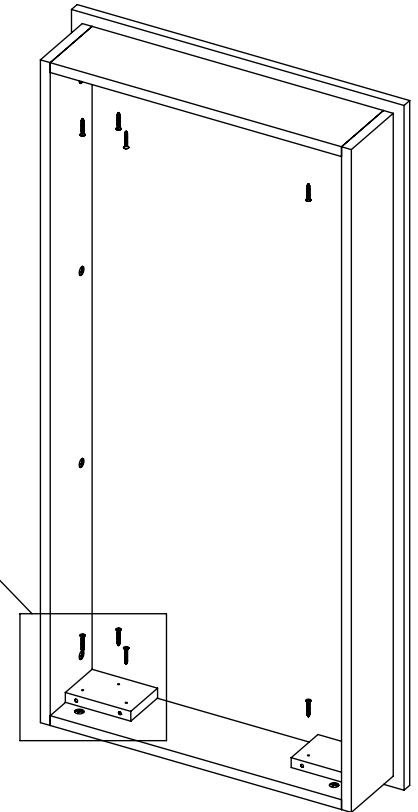
PUT WOOD BLOCKING ON
4 CORNERS, AND SCREW
IN WITH WOOD SCREWS.



12X
#8 X 1.18" LONG
FLAT HEAD WOOD SCREW

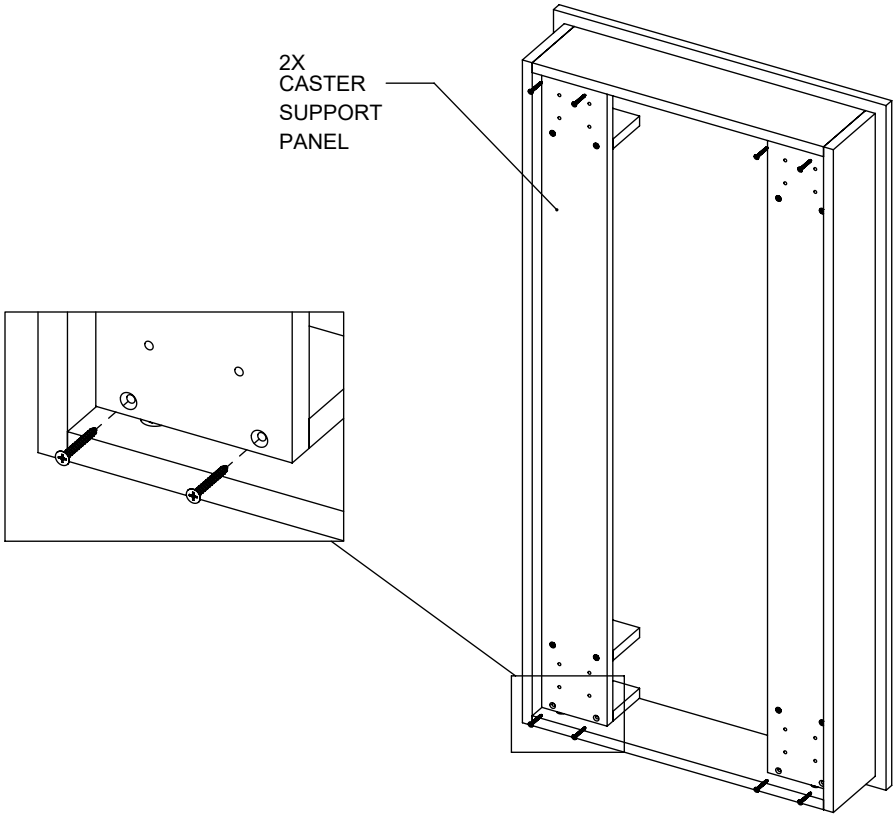
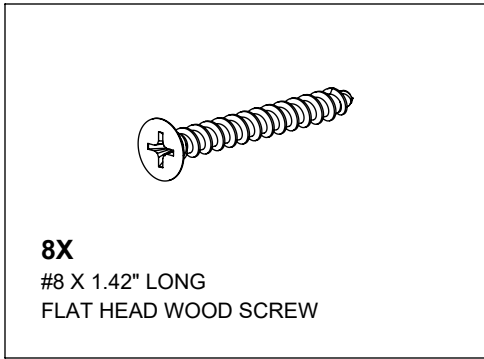


4X
WOOD BLOCKING



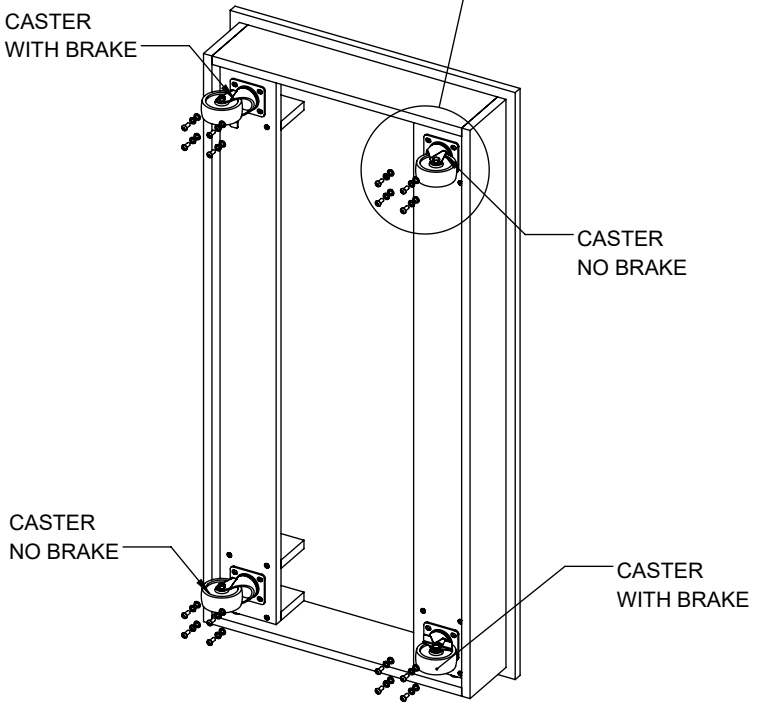
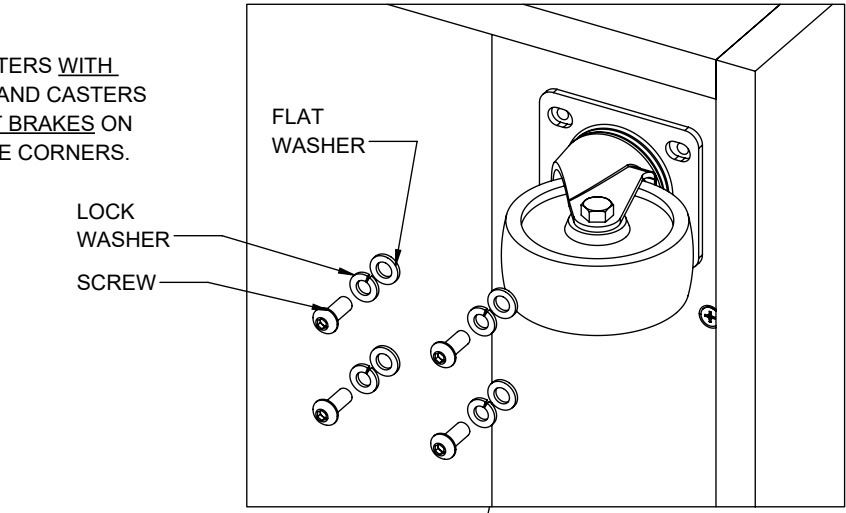
2

PUT CASTER SUPPORT
PANEL OVER WOOD
BLOCKING, AND SCREW IN
WITH WOOD SCREWS.



3

PUT CASTERS WITH
BRAKES AND CASTERS
WITHOUT BRAKES ON
OPPOSITE CORNERS.



**GONDOLA SLATWALL MERCHANDISER
INSTRUCTIONS
(CONTINUED FROM SHEET 3)**

5

- SLOWLY STAND UP THE UNIT.
- PUT STICKERS ON EXPOSED CAM LOCK HOLES.
- ASSEMBLY IS COMPLETE.

