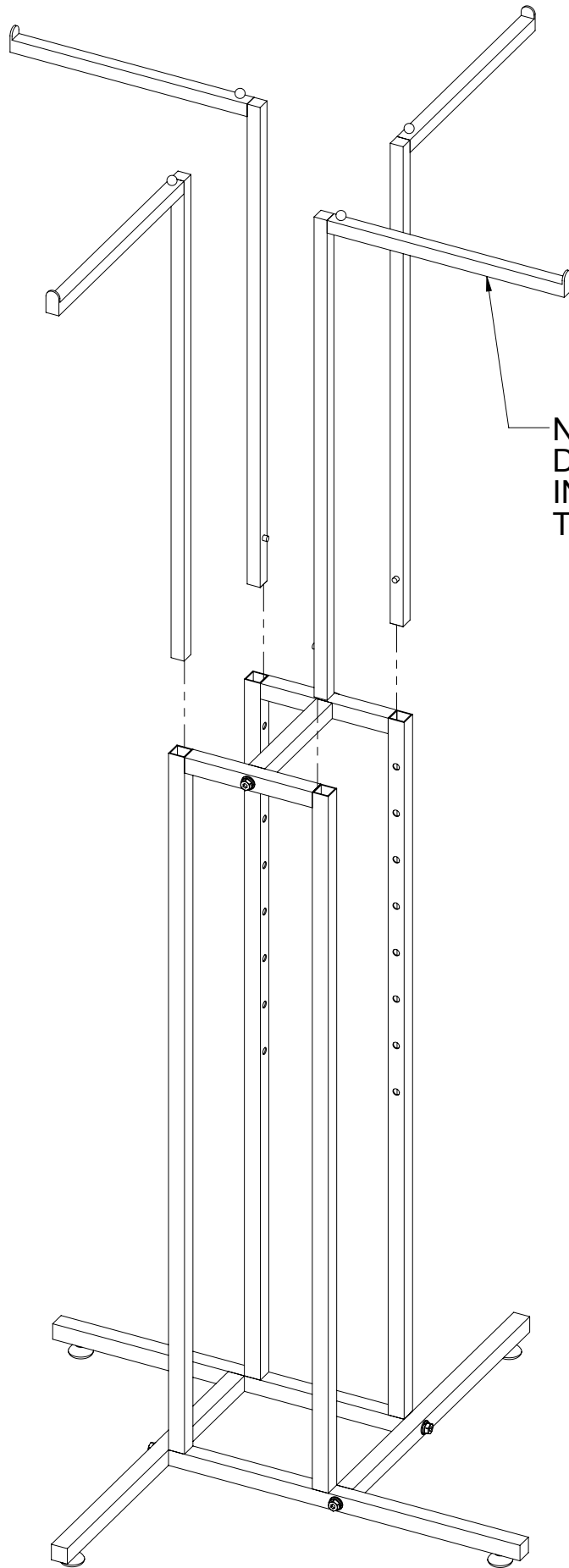


3/8" LOCK WASHERS
3/8" STANDARD WASHERS
6 SETS REQUIRED

3/8"-16 x 2" LONG
HEX HEAD SOCKET BOLTS
6 REQUIRED

Assembly Instructions for
K10, K12, K13, K14, K15,
K16

SHEET 1 OF 2



NOTE: ARMS WILL VARY
DEPENDING ON ITEM
INSTALLATION REMAINS
THE SAME

Assembly Instructions for
K10, K12, K13, K14, K15,
K16