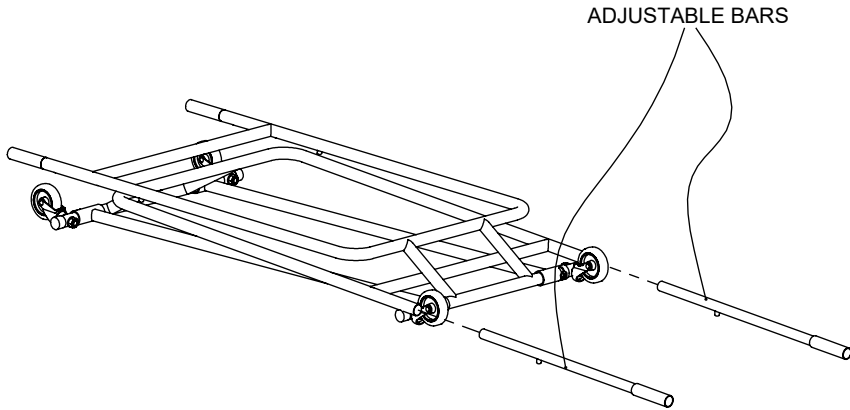
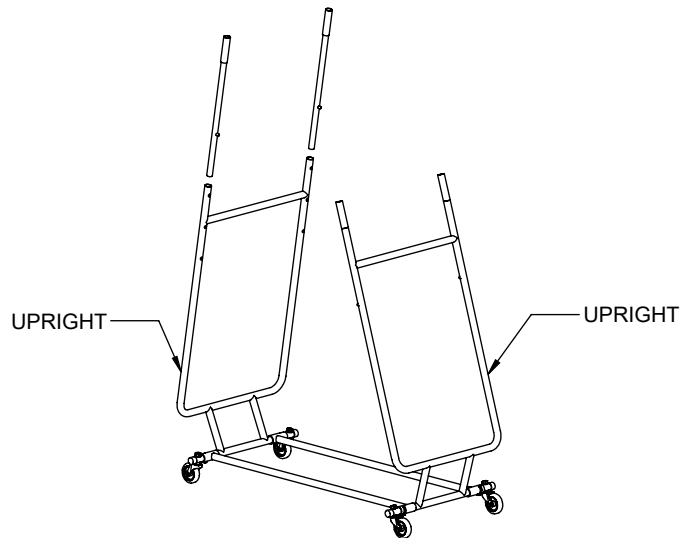


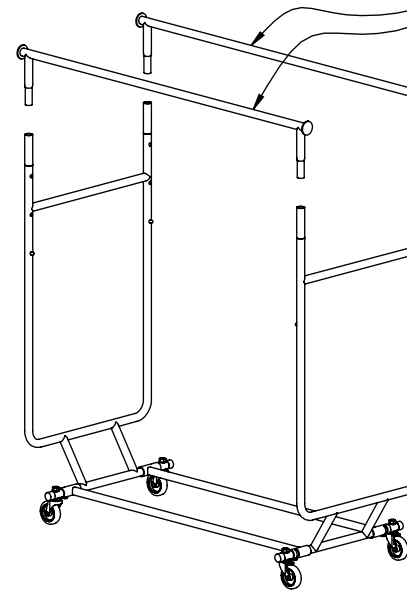
- 1** SLIDE OUT ADJUSTABLE BARS FROM THE BOTTOM ONLY.
DEPRESS SNAP BUTTONS ON ADJUSTABLE BARS TO SLIDE OUT.



- 2** UNFOLD THE UPRIGHTS.
RE-INSERT THE ADJUSTABLE BARS INTO THE UPRIGHTS.



- 3** HANGBARS



SLIDE THE HANGBARS INTO THE
ADJUSTABLE BARS.

**UPRIGHTS CAN FALL WHILE
INSTALLING HANGBARS. 2 PEOPLE
ARE RECOMMENDED FOR THIS
STEP**

- 4**

HANGBAR HEIGHT
CAN BE ADJUSTED UP
AND DOWN USING
THESE (3) HOLES.

END CAPS CAN SLIDE
IN AND OUT FOR
MORE HANGING
SPACE IF NEEDED.

