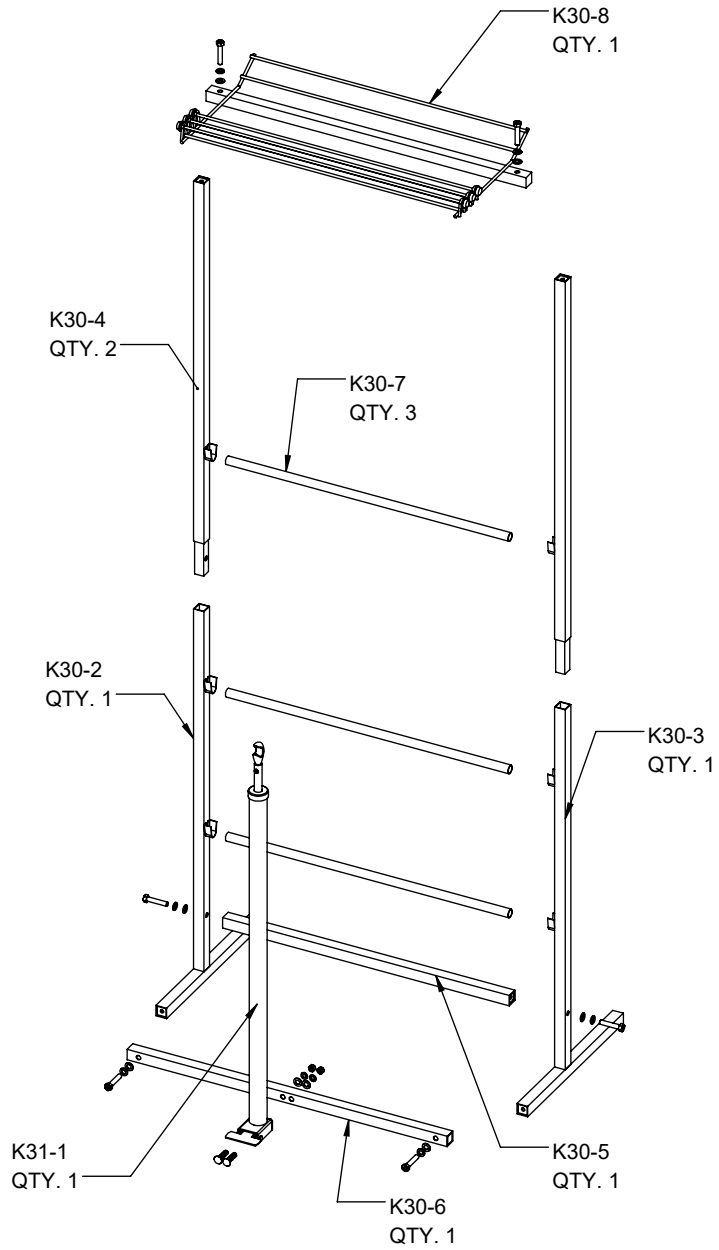
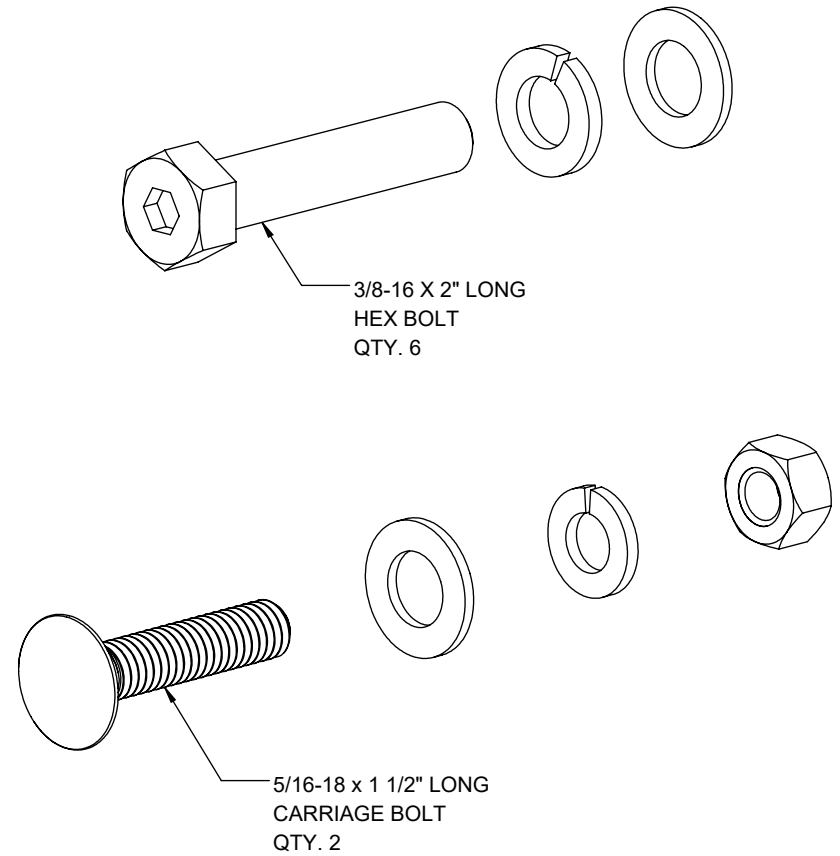


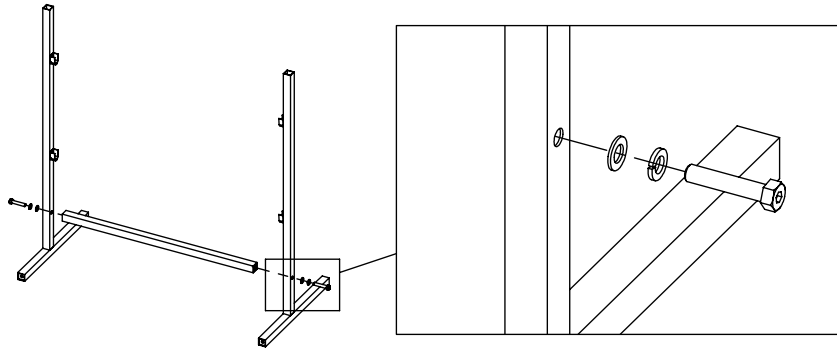
EXPLODED VIEW



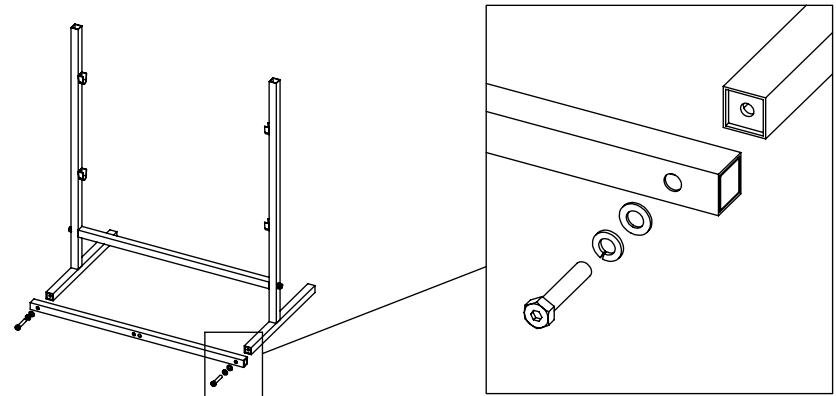
HARDWARE



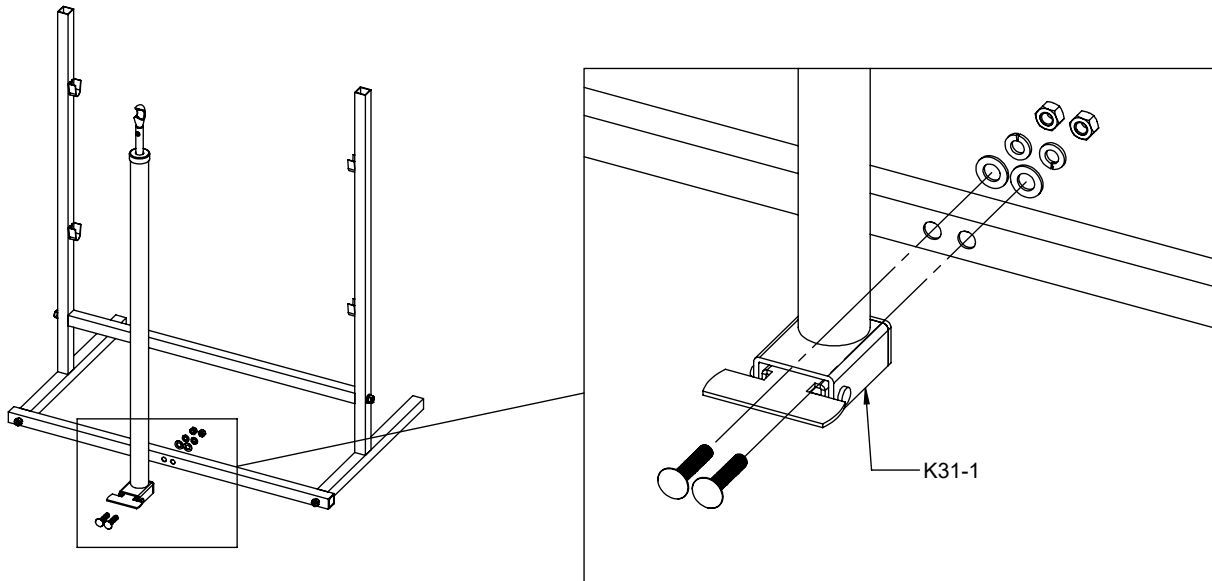
1



2

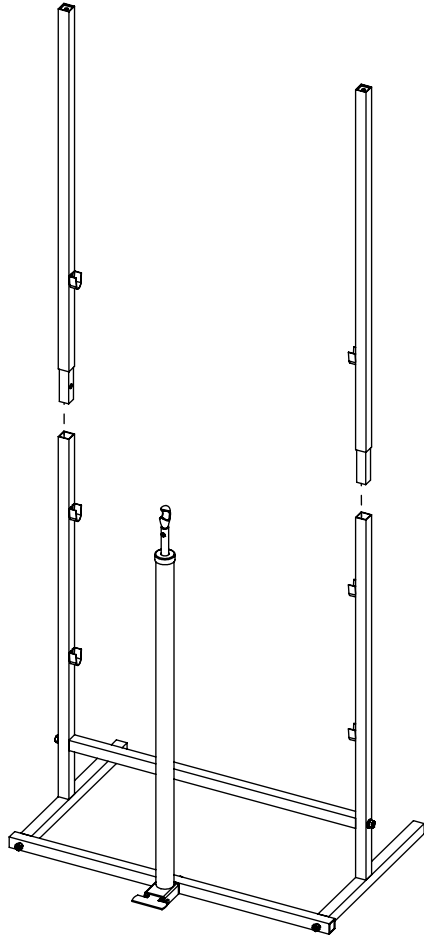


3



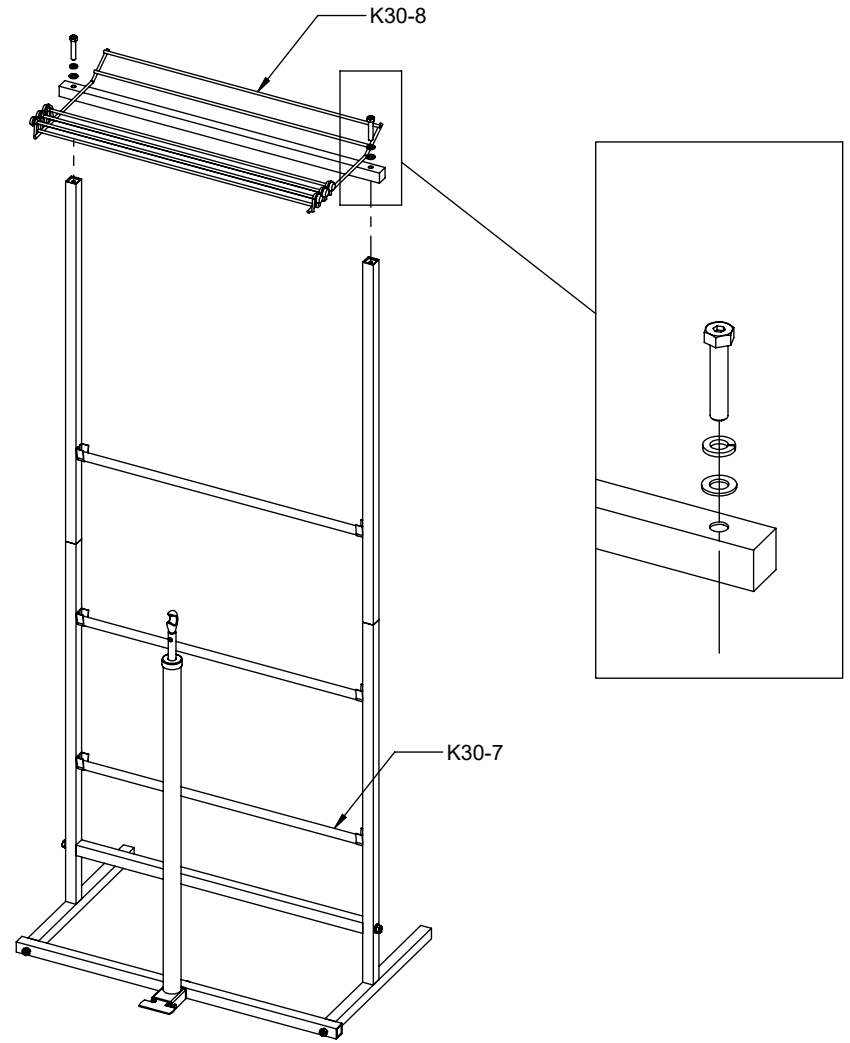
INSERT BOLT THROUGH BOTTOM OF
K31-1. SECURE WITH WASHERS/ NUTS
ON OTHER SIDE WITH WRENCH.

4



K30

5 INSTALL K30-8 ON TOP.
THEN INSTALL K30-7 (ROUND BARS.)



SHEET 3 OF 3