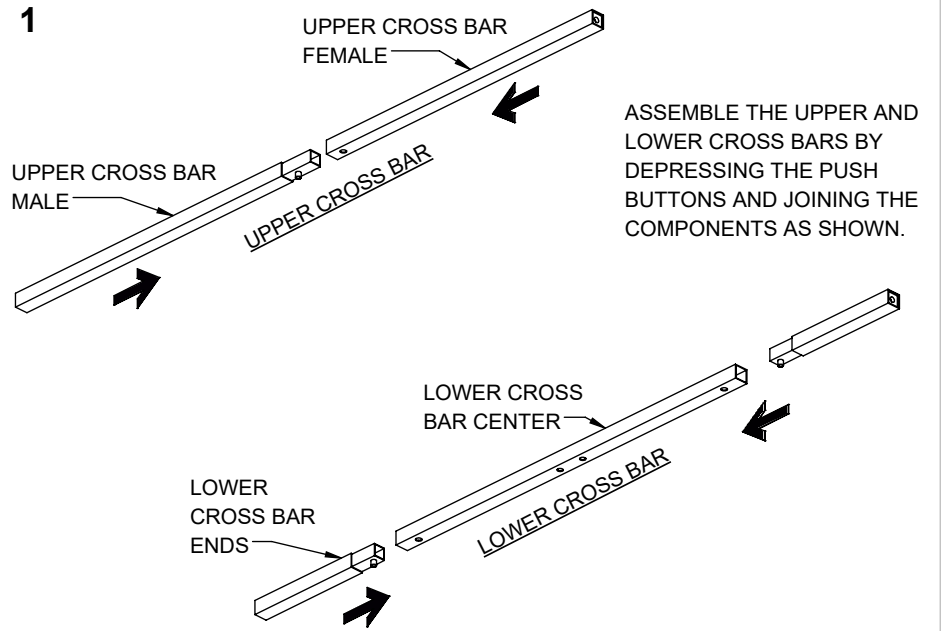
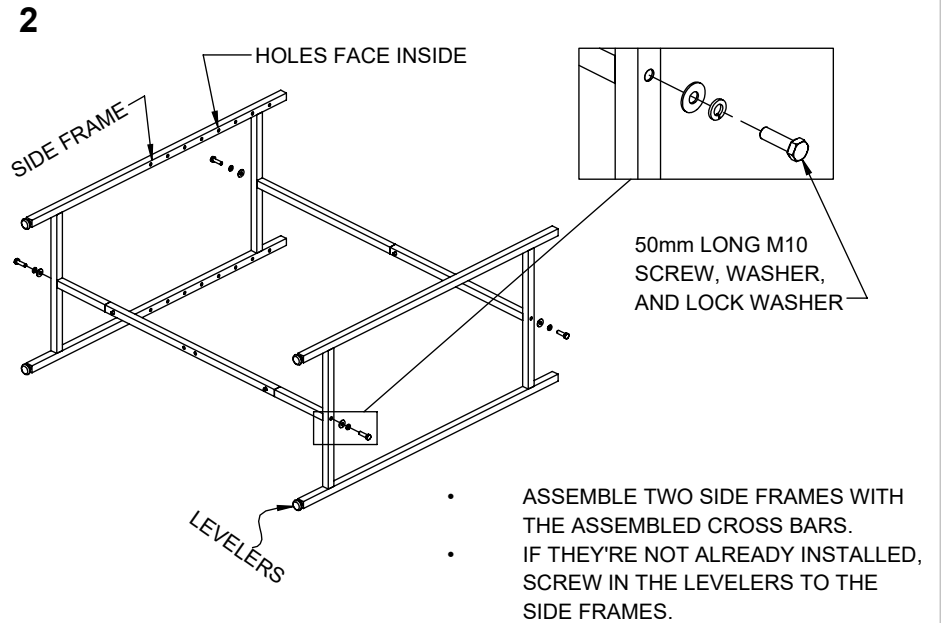
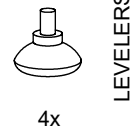
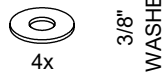
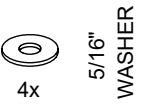
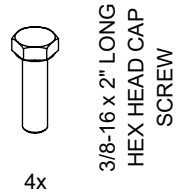
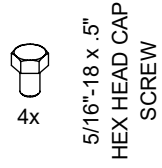


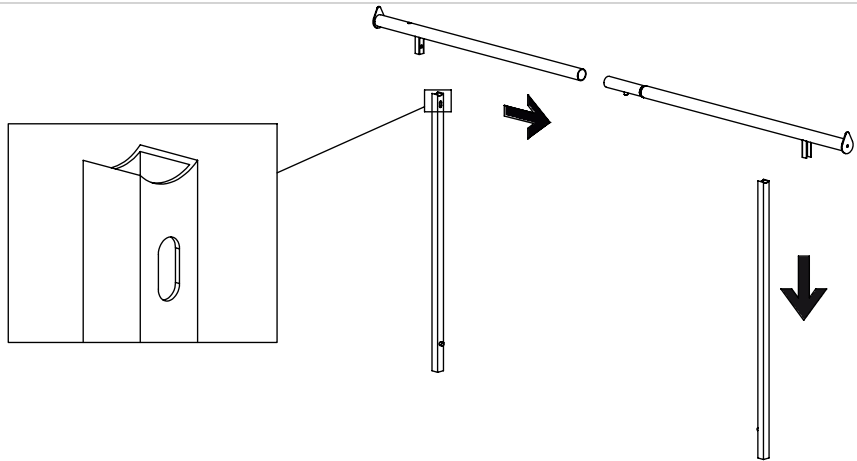
**ASSEMBLY
INSTRUCTIONS FOR:
K40**



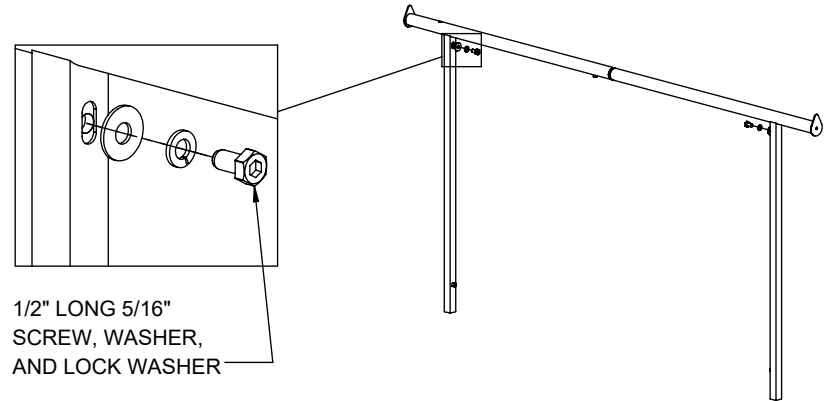
INCLUDED HARDWARE



3



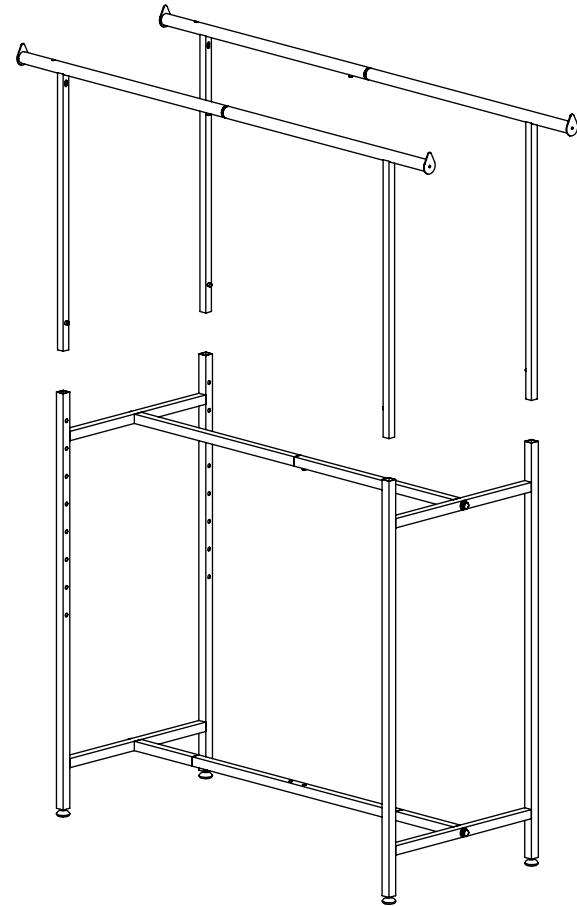
x2



1/2" LONG 5/16"
SCREW, WASHER,
AND LOCK WASHER

- ASSEMBLE THE HANG BAR BY DEPRESSING THE PUSH BUTTONS ON THE MALE HALF AND INSTALL IT INTO THE FEMALE HALF.
- SLIDE HANG BAR UPRIGHTS IN PLACE.
- SECURE WITH HARDWARE AS SHOWN.
- REPEAT FOR SECOND HANG BAR.

4



DEPRESS PUSH BUTTONS AND
INSTALL HANG BARS ONTO THE
UNIT.