

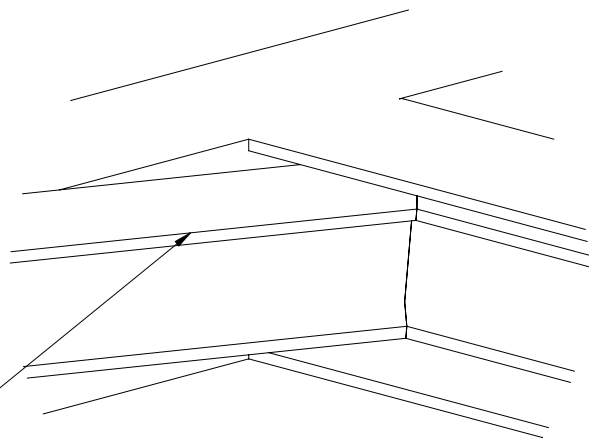
5/16" REGULAR WASHER
4 REQUIRED PER THIS STEP

5/16" LOCK WASHER
4 REQUIRED PER THIS STEP

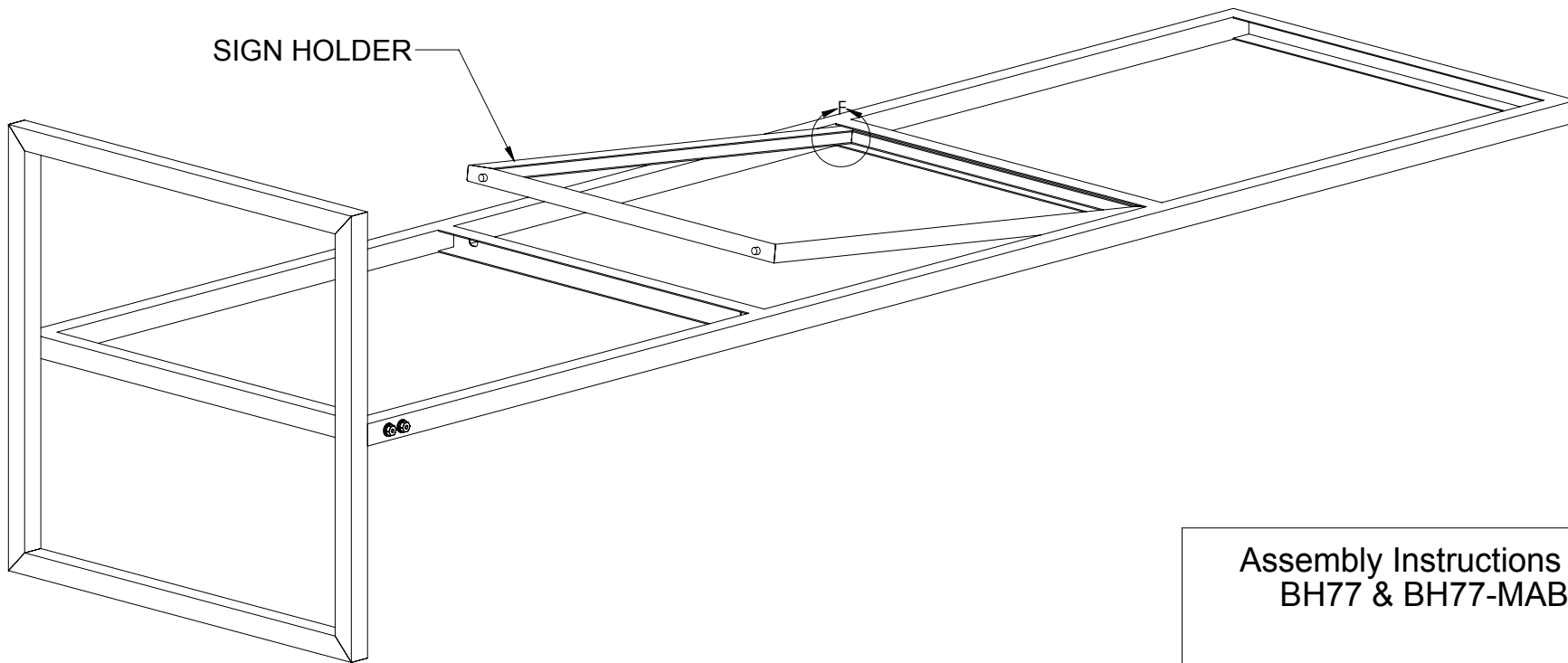
5/16"-18 x 1/2" LONG
SOCKET HEX HEAD BOLTS
4 REQUIRED PER THIS STEP

Assembly Instructions for
BH77 & BH77-MAB

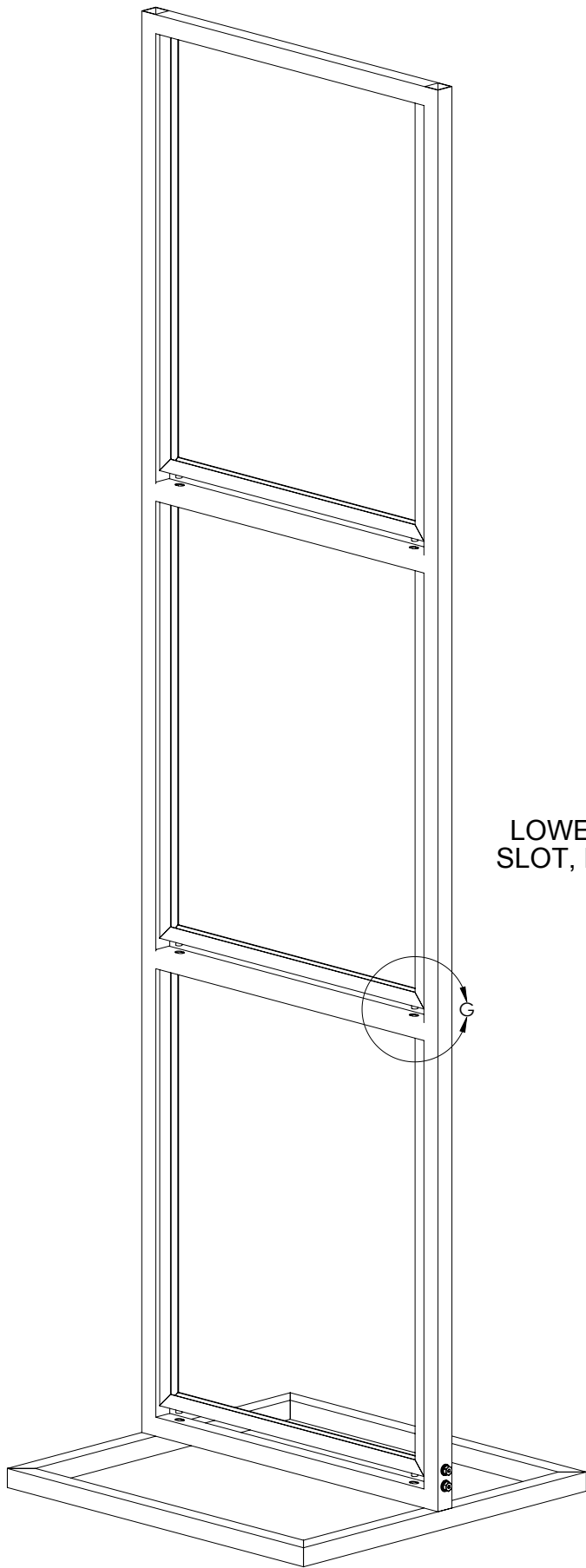
ROTATE SIGN AND SLIDE
 INTO CUT OUT ON FRAME
 THEN ALIGN THE SIGN
 WITH THE FRAME
 LOWER SIGN PEGS INTO
 PROVIDED SLOTS ON FRAME
 (SEE NEXT SHEET)
 REPEAT FOR ALL THREE
 SIGN HOLDERS
 REPEAT 3X



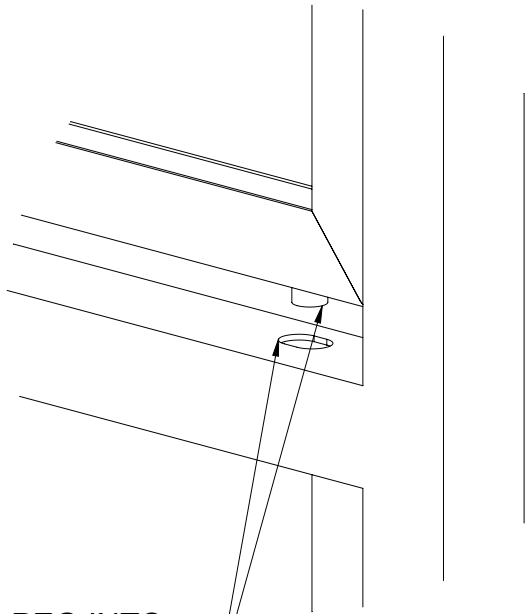
DETAIL F
 SCALE 1 : 1



Assembly Instructions for
 BH77 & BH77-MAB



LOWER PEG INTO
SLOT, BOTH SIDES
REPEAT 3X



DETAIL G
SCALE 1 : 2

Assembly Instructions for
BH77 & BH77-MAB