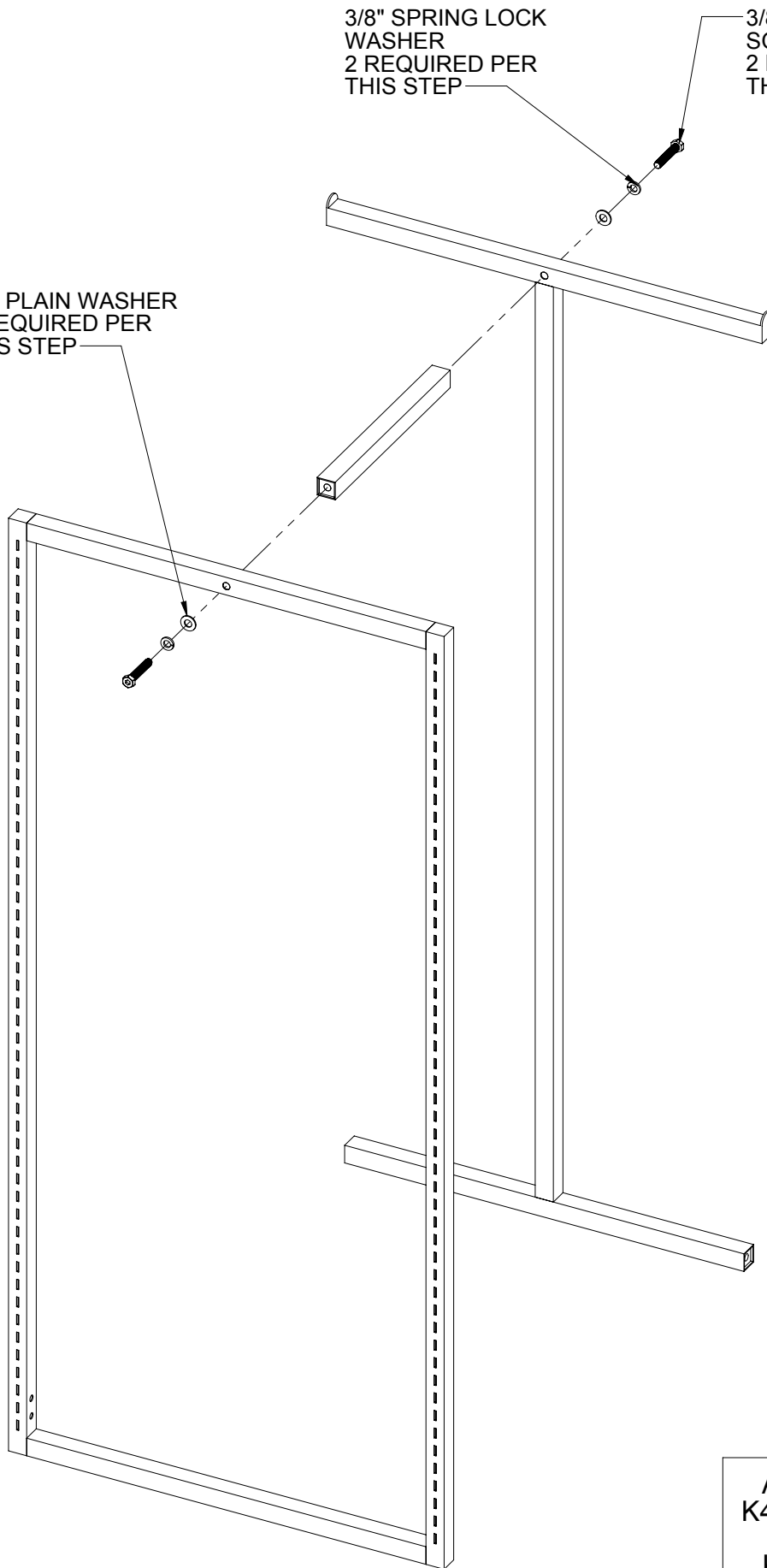


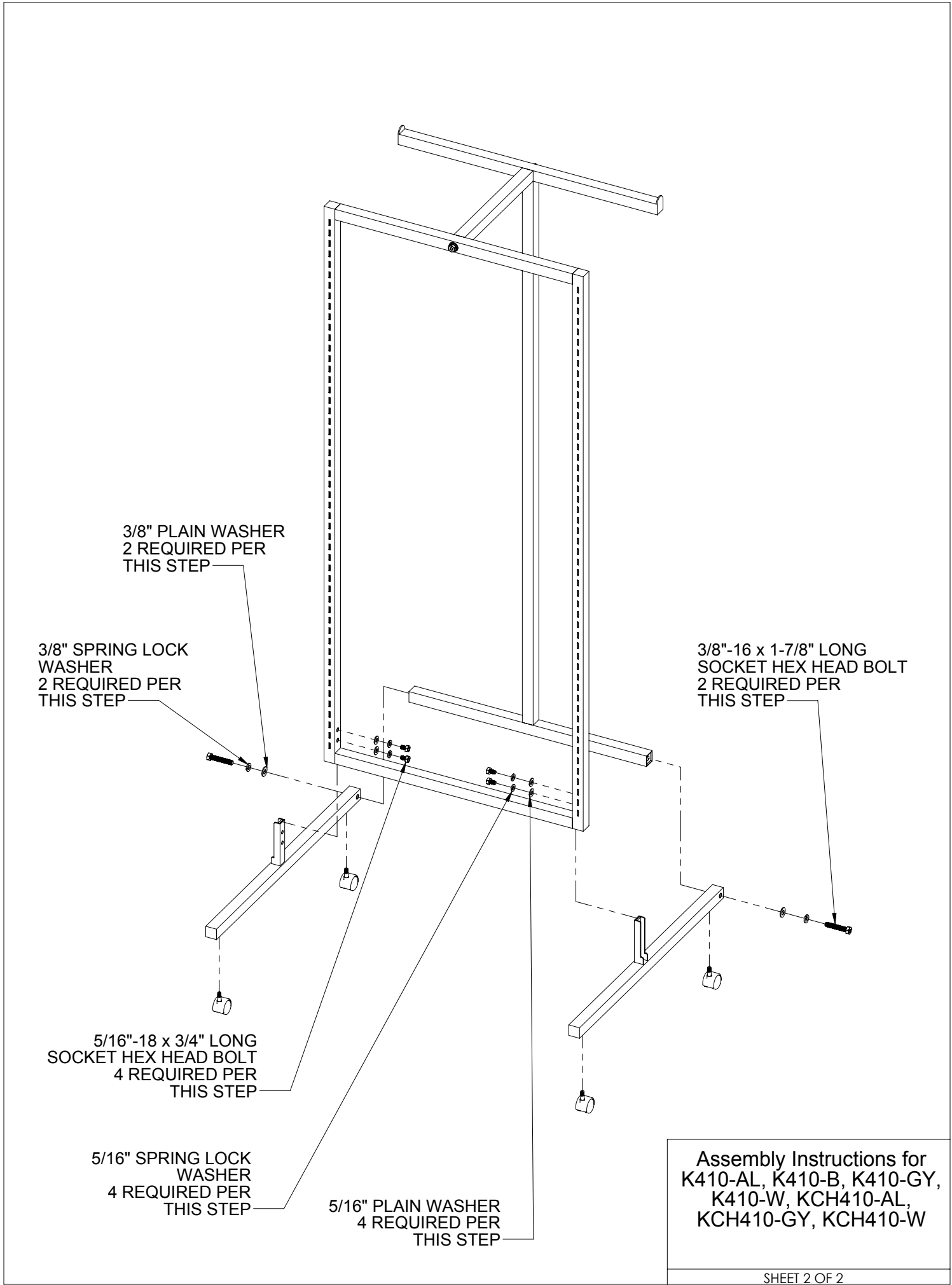
3/8" SPRING LOCK
WASHER
2 REQUIRED PER
THIS STEP

3/8"-16 x 1-7/8" LONG
SOCKET HEX HEAD BOLT
2 REQUIRED PER
THIS STEP

3/8" PLAIN WASHER
2 REQUIRED PER
THIS STEP



Assembly Instructions for
K410-AL, K410-B, K410-GY,
K410-W, KCH410-AL,
KCH410-GY, KCH410-W



3/8" PLAIN WASHER
2 REQUIRED PER
THIS STEP

3/8" SPRING LOCK
WASHER
2 REQUIRED PER
THIS STEP

3/8"-16 x 1-7/8" LONG
SOCKET HEX HEAD BOLT
2 REQUIRED PER
THIS STEP

5/16"-18 x 3/4" LONG
SOCKET HEX HEAD BOLT
4 REQUIRED PER
THIS STEP

5/16" SPRING LOCK
WASHER
4 REQUIRED PER
THIS STEP

5/16" PLAIN WASHER
4 REQUIRED PER
THIS STEP

Assembly Instructions for
K410-AL, K410-B, K410-GY,
K410-W, KCH410-AL,
KCH410-GY, KCH410-W